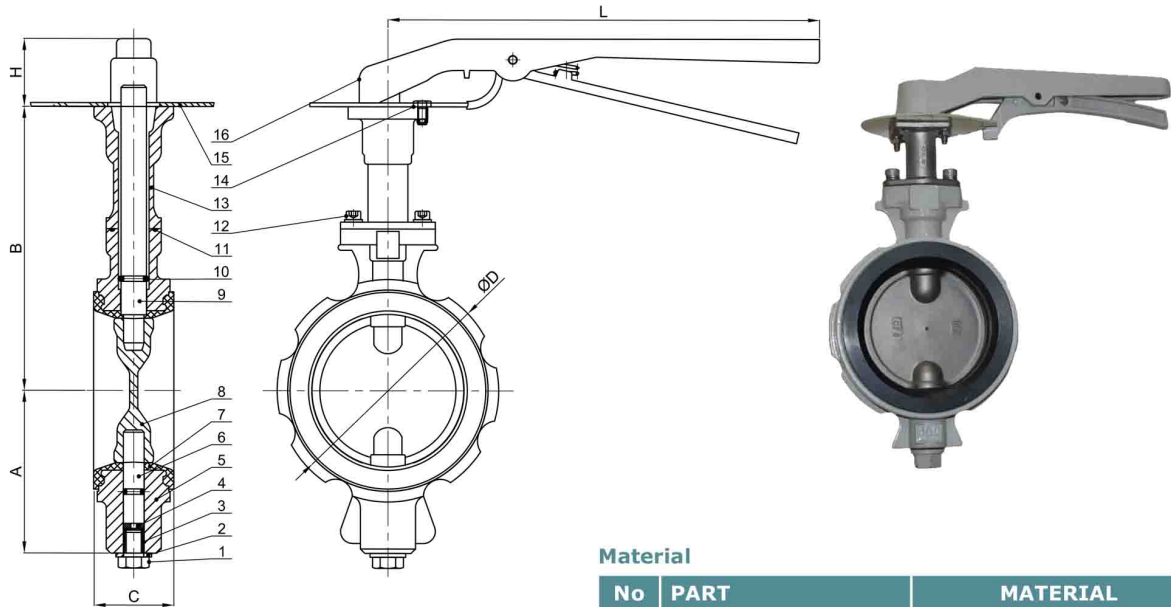


WAFER TYPE BUTTERFLY VALVE MULTIPLE FLANGED

Model : ARV-1112WT(U)



Design Standard

Design Standard	EN 593
Face to Face	EN 558
Flange Connection	EN 1092 PN 10/16, ANSI 150, JIS 10K
Test Standard	EN 12266-1

Hydrostatic Test

Pressure Rating	PN 10
Shell Test Pressure	1.5 Mpa
Seal Test Pressure	1.1 Mpa
Suitable Temperature	-20 to 130°C

Material

No	PART	MATERIAL
1	COVER	ALUMINIUM ALLOY
2	WASHER	CS
3	PACKING	GRAPHITE
4	PAD	BRASS
5	BODY	ALUMINIUM ALLOY (ADC 12)
6	LOWER SHAFT	SS 420
7	SEAT	EPDM
8	DISC	CF8
9	UPPER SHAFT	SS420
10	O-RING	EPDM
11	O-RING	EPDM
12	BOLT	SS
13	BONNET	DI
14	BOLT	SS
15	HANDLEVER PLATE	CS
16	HANDLEVER	AI

Dimension in mm

DN	NPS	A	B	C	ØD	H	L	Weight (kg)
50	2"	65	130	43	Ø101	28	180	1.26
65	2.1/2"	75	140	46	Ø121	28	180	1.64
80	3"	83	153	46	Ø130.7	28	180	1.7
100	4"	97	168	52	Ø156	39	228	2.41
125	5"	119	203	56	Ø185.9	39	228	4.09
150	6"	134	215	59	Ø218	39	228	5.09

The contents of this literature are for informative purposes only. Arita is not responsible for suitability or compatibility of these products in relation to system requirement. For specific requirements, consult Arita or its distributors. Arita reserves the right to change or modify product design without prior notice.