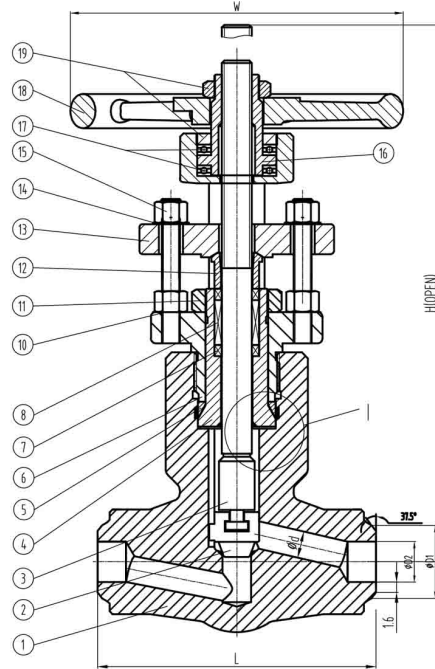


PRESSURE SEAL GLOBE VALVE CLASS 1500

Model : ARV-402BW-1500



Material

No	PART	MATERIAL
1	BODY	A105N+STL
2	DISC	A182-F6a+STL
3	STEM	A182-F6a
4	PACKING NUT	13Cr
5	SEAL RING	304+GRAPHITE
6	BONNET	A105N
7	PACKING	FLEXIBLE GRAPHITE+S.S. WIRE
8	PACKING	FLEXIBLE GRAPHITE
10	EYEBOLT	A193-B7
11	NUT	C.S.
12	GLAND	A276-410
13	GLAND FLANGE	A105N
14	GASKET	A276-410
15	NUT	A194-2H
16	YOKE NUT	A276-410
17	PLANE BEARING	GCr15
18	HANDWHEEL	A197
19	NUT	C.S.

Specifications

CLASS	1500
SHELL TEST	37.5 Mpa
TOP SEAL TEST	27.5 Mpa
WATER TEST	27.5 Mpa
TEMPERATURE	-29 ~ 425°c
MEDIUM	Water, Oil, Gas

Technical Requirements

Design and Manufacture	ASME B16.34
End Connection	Butt Welding End ASME B16.25
Pressure-temperature	ASME B16.34
Test & Inspect	API 598

Dimension in mm

DN	L	H	d	W	D1	D2	Weight (kg)
						SCH 160	
1/2"	140	360	9.5	200	21.3	11.7	10.3
3/4"	140	360	13	200	26.7	15.6	10.6
1"	140	360	18	200	33.4	20.7	10.2
1.1/4"	178	475	23	300	42.2	29.5	23
1.1/2"	178	475	27	300	48.3	34	20.66
2"	216	561	34	300	60.3	42.8	34

The contents of this literature are for informative purposes only. Arita is not responsible for suitability or compatibility of these products in relation to system requirement. For specific requirements, consult Arita or its distributors. Arita reserves the right to change or modify product design without prior notice.