



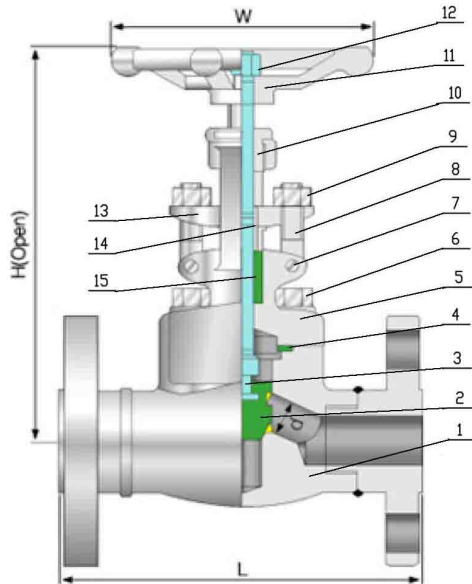
UNIMECH GROUP, MALAYSIA



A MEMBER OF UNIMECH GROUP, MALAYSIA

FORGED STEEL GLOBE VALVE CLASS 150 / 300 / 600

Model : ARV-402FE(A)



Technical Data

Features :

- Bolted Bonnet
- Outside Screw & York
- Flanged End
- Inspection and Test : API598
- Pressure Rating : ANSI 150 / 300 / 600
- Temperature up to 450 °C

Standards :

- Design : API 602 & ANSI B16.34
- Flanged Ends : ANSI B16.5
- Face to face : ANSI B16.10

Material

| No | PART | MATERIAL |
|----|--------------|----------------|
| 1 | BODY | A105 |
| 2 | DISC | A182 F6a + STL |
| 3 | STEM | A182 F6a |
| 4 | GASKET | 304 + GRAPHITE |
| 5 | BONNET | A105 |
| 6 | BONNET BOLT | A193-B7 |
| 7 | PIN | 1025 |
| 8 | BOLT | A193-B7 |
| 9 | NUT | A194-2H |
| 10 | STEM NUT | 1045 |
| 11 | HANDWHEEL | A47 |
| 12 | LOCK NUT | 1020 |
| 13 | GLAND FLANGE | A105 |
| 14 | GLAND | A276-410 |
| 15 | PACKING | GRAPHITE |

Dimension in mm

| DN | | 15 | 20 | 25 | 32 | 40 | 50 |
|----------|-------------|-----|------|-----|-----|------|-----|
| d | | 10 | 12.7 | 18 | 23 | 28.5 | 36 |
| L | 150LB | 108 | 117 | 127 | 140 | 165 | 203 |
| | 300LB | 152 | 178 | 203 | 216 | 229 | 267 |
| | 600LB | 165 | 190 | 216 | 229 | 241 | 292 |
| H (open) | 150LB-300LB | 166 | 169 | 193 | 230 | 246 | 283 |
| | 600LBS | 180 | 182 | 216 | 240 | 246 | 283 |
| W | | 100 | 100 | 125 | 160 | 160 | 180 |

The contents of this literature are for informative purposes only. Arita is not responsible for suitability or compatibility of these products in relation to system requirement. For specific requirements, consult Arita or its distributors. Arita reserves the right to change or modify product design without prior notice.