



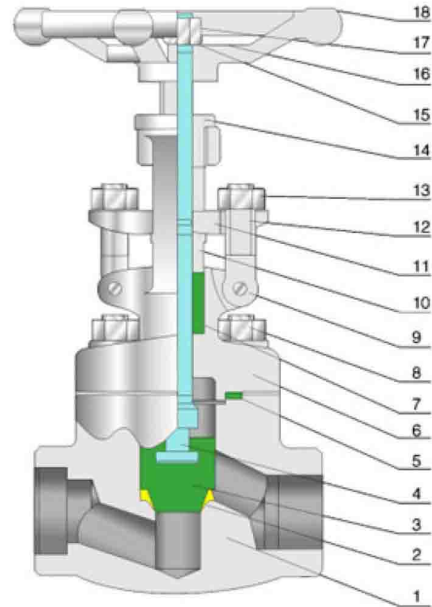
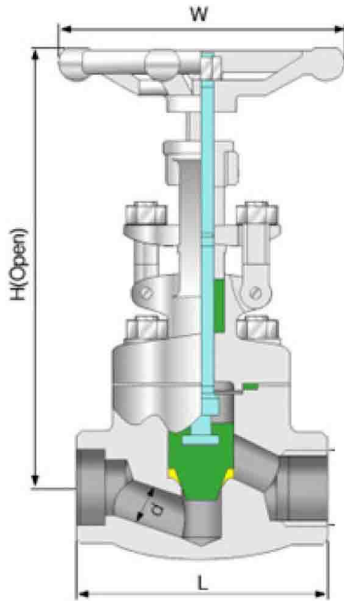
UNIMECH GROUP, MALAYSIA



A MEMBER OF UNIMECH GROUP, MALAYSIA

GLOBE VALVE CLASS 800

Model : ARV-402SE, ARV-402SW



Features :

- Bolted Bonnet or Welded Bonnet
- Outside Screw & York
- End Connection : NPT or Socket Weld
- Inspection and Test : API598
- Pressure Rating Class 800
- Pressure up to 138 bar
- Temperature up to 425 °C

Standards :

- Design : API 602 & ANSI B16.34
- Threaded Ends : ASME B1.20.1 (NPT)
- Socket Welding Ends : ASME B16.11

Technical Data

Material

No	PART	MATERIAL
1	BODY	A105
2	SEAT RING	13Cr
3	DISC	A276-410
4	STEM	A276-410
5	GASKET	304 + GRAPHITE
6	BONNET	A105
7	PACKING	GRAPHITE
8	BOLT	A193-B7
9	PIN	A276-410
10	BUSHING	A276-410
11	GLAND	A105
12	BOLT	A193-B7
13	NUT	A193-2H
14	NUT	A108-1045
15	GASKET	A108-1020
16	NAME PLATE	ALUMINIUM
17	GLAND NUT	A108-1020
18	HANDWHEEL	A47

Dimension in mm

DN	15	20	25	32	40	50
d	11	13	18	23	28.5	33
L	79	92	111	120	152	172
H (open)	166	175	206	228	262	300

The contents of this literature are for informative purposes only. Arita is not responsible for suitability or compatibility of these products in relation to system requirement. For specific requirements, consult Arita or its distributors. Arita reserves the right to change or modify product design without prior notice.

Our Ref. : ARF/NTGL-, ARF/SWGL- 04/26