



UNIMECH GROUP, MALAYSIA



A MEMBER OF UNIMECH GROUP, MALAYSIA

SAFETY VALVE SCREWED END

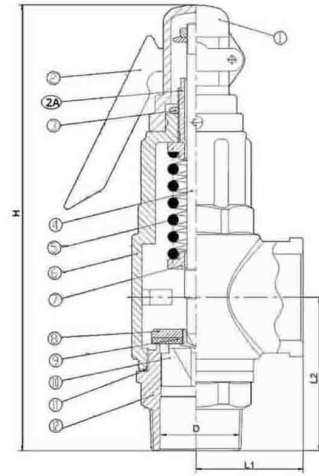
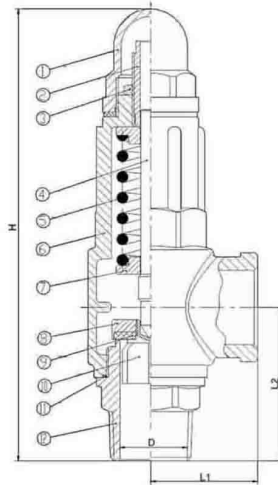
Model : ARV-907SE, ARV-907SE(LE)



ARV-907SE



ARV-907SE(LE)



Specification

Type	Without Lever	With Lever
Working Fluid	Liquid	Steam, Air
Operating Pressure	150 PSI / 250 PSI	
Working Temperature	-45 ~ 170°C	
Connection	BSPT	

Material

No	PART	MATERIAL
1	CAP	BRONZE
2	ADJUST SCREW	CW617N
2A	LEVER	SS304
3	NUT	CW617N
4	SPINDLE	CW617N
5	SPRING	SS304
6	VALVE BODY	BRONZE
7	SPRING SEAT	CW617N
8	DISC	CW617N
9	GASKET	RPTFE
10	BUFFET	CW617N
11	GASKET RING	PTFE
12	VALVE SEAT	CW617N

Dimension in mm

Inlet	D	Outlet	Lift	L1	L2	Without Lever	Wt. (kg)	With Lever	Wt. (kg)
						H		H	
1/2"	13	1/2"	0.5	31	48	135	0.51	157	0.60
3/4"	19	3/4"	0.7	35	55	144	0.62	167	0.70
1"	25	1"	0.9	39.5	65	175	1.06	199	1.10
1.1/4"	31.5	1.1/4"	1.2	50.5	75	197	1.90	221	1.90
1.1/2"	37	1.1/2"	1.4	59	86	223	2.46	247	2.50
2"	47	2"	1.8	67	100	257	3.79	284	4.10

The contents of this literature are for informative purposes only. Arita is not responsible for suitability or compatibility of these products in relation to system requirement. For specific requirements, consult Arita or its distributors. Arita reserves the right to change or modify product design without prior notice.