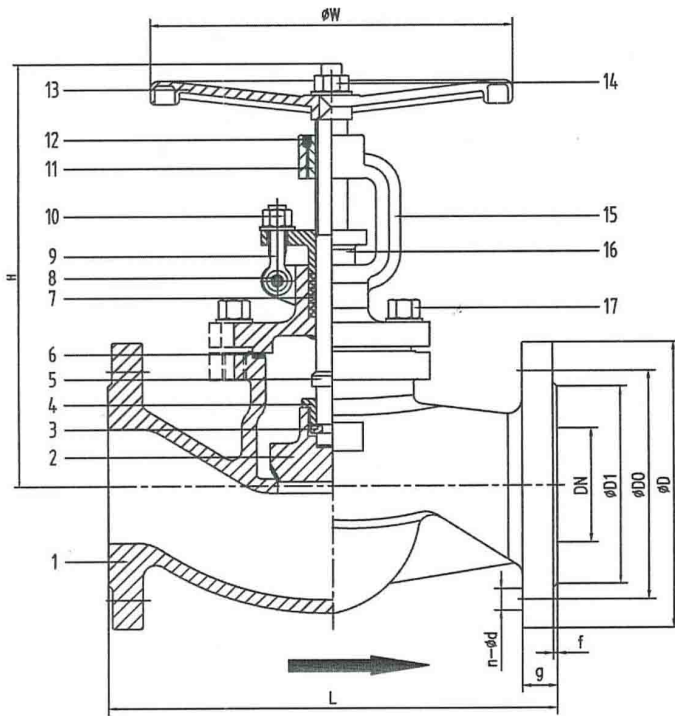


S-PATTERN GLOBE VALVE FLANGED END PN 40

Model : ARV-202FE(D)-SP



Technical Data

Technical Specification

Design and manufacture : DIN EN 13709:2003

Face to face dimension : DIN EN 558-1:1995

End flange dimension : DIN EN 1092-1:2002

Inspection and test : DIN EN 12266:2003

Material

No	PART	MATERIAL
1	BODY	GS-CS25+13Cr
2	DISC	2Cr13
3	OPEN LOOP	CARBON STEEL
4	NUT	CARBON STEEL
5	STEM	2Cr13
6	GASKET	FLEXIBLE GRAPHITE + 304
7	PACKING	FLEXIBLE GRAPHITE
8	PIN	CARBON STEEL
9	BOLT	ASTM A193 B7
10	NUT	ASTM A194 2H
11	STEM NUT	H62
12	PIN	CARBON STEEL
13	HANDWHEEL	CARBON STEEL
14	NUT	CARBON STEEL
15	BONNET	GS-C25
16	GLAND	GS-C25
17	BOLT	ASTM A193 B7

Performance Specification

Nominal Pressure		PN 40
Test Pressure	Intensity Test	6.0 Mpa
	Sealing Test (water)	4.4 Mpa
Working Temperature		-29 ~ 425 °C
Suitable Medium		Water, Oil & Gas

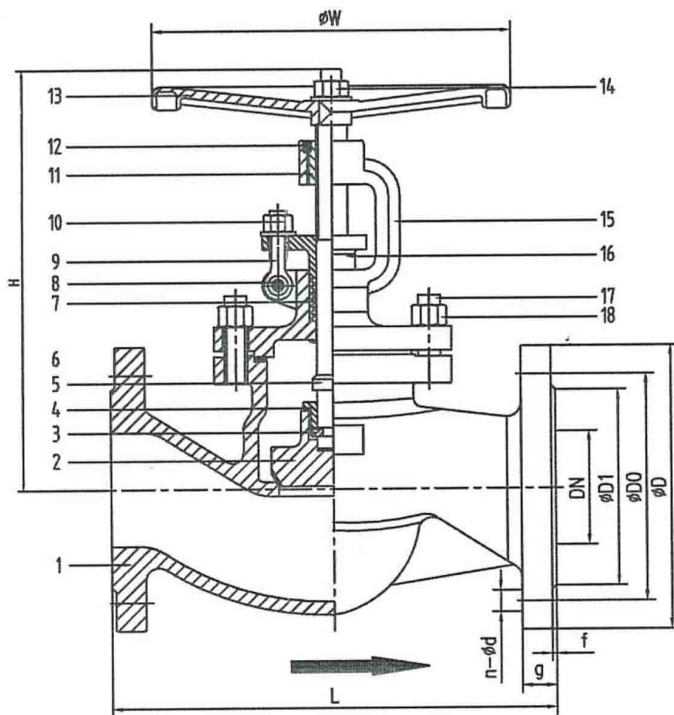
Dimension in mm

NPS	DN	L	ϕD	$\phi D0$	$\phi D1$	g	f	$n \times \phi d$	H	W
1/2"	15	130	95	65	45	16	2	4 x 14	200	140
3/4"	20	150	105	75	58	18	2	4 x 14	200	140
1"	25	160	115	85	68	18	2	4 x 14	215	160
1.1/4"	32	180	140	100	78	18	2	4 x 18	215	180
1.1/2"	40	200	150	110	88	18	3	4 x 18	230	180
2"	50	230	165	125	102	20	3	4 x 18	230	200
2.1/2"	65	290	185	145	122	22	3	8 x 18	280	200
3"	80	310	200	160	138	24	3	8 x 18	280	250

S-PATTERN GLOBE VALVE FLANGED END PN 40

Model : ARV-202FE(D)-SP

Technical Data



Technical Specification

Design and manufacture : DIN EN 13709:2003
 Face to face dimension : DIN EN 558-1:1995
 End flange dimension : DIN EN 1092-1:2002
 Inspection and test : DIN EN 12266:2003

Material

No	PART	MATERIAL
1	BODY	GS-CS25+13Cr
2	DISC	ASTM-C25+13Cr
3	OPEN LOOP	CARBON STEEL
4	NUT	CARBON STEEL
5	STEM	2Cr13
6	GASKET	FLEXIBLE GRAPHITE + 304
7	PACKING	FLEXIBLE GRAPHITE
8	PIN	CARBON STEEL
9	BOLT	ASTM A193 B7
10	NUT	ASTM A194 2H
11	STEM NUT	
12	PIN	CARBON STEEL
13	HANDWHEEL	CARBON STEEL
14	NUT	CARBON STEEL
15	BONNET	GS-C25
16	GLAND	GS-C25
17	NUT	ASTM A194 2H
18	BOLT	ASTM A193 B7

Performance Specification

Nominal Pressure		PN 40
Test Pressure	Intensity Test	6.0 Mpa
	Sealing Test (water)	4.4 Mpa
Working Temperature		-29 ~ 425 °C
Suitable Medium		Water, Oil & Gas

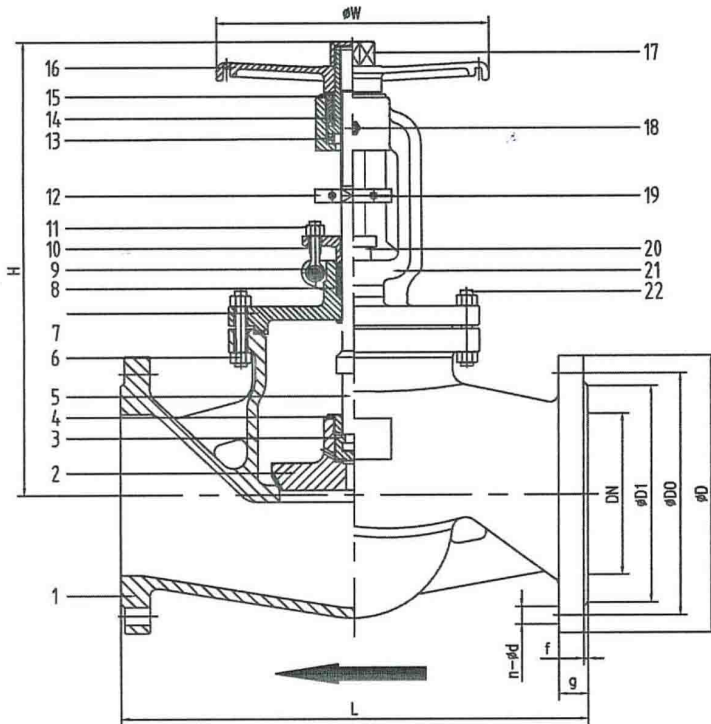
Dimension in mm

NPS	DN	L	ØD	ØD0	ØD1	g	f	n x Ød	H	W
4"	100	350	235	190	162	24	3	8 x 22	370	280
5"	125	400	270	220	188	26	3	8 x 26	400	300
6"	150	480	300	250	218	28	3	8 x 26	500	350

S-PATTERN GLOBE VALVE FLANGED END PN 40

Model : ARV-202FE(D)-SP

Technical Data



Technical Specification

Design and manufacture : DIN EN 13709:2003
 Face to face dimension : DIN EN 558-1:1995
 End flange dimension : DIN EN 1092-1:2002
 Inspection and test : DIN EN 12266:2003

Material

No	PART	MATERIAL
1	BODY	GS-CS25+13Cr
2	DISC	ASTM-C25+13Cr
3	DISC	ASTM-C25+13Cr
4	NUT	CARBON STEEL
5	STEM	2Cr13
6	NUT	ASTM A194 2H
7	GASKET	FLEXIBLE GRAPHITE + 304
8	PACKING	FLEXIBLE GRAPHITE
9	BOLT	CARBON STEEL
10	BOLT	ASTM A193 B7
11	NUT	ASTM A194 2H
12	STOP	CARBON STEEL
13	BEARING	
14	STEM NUT	
15	NUT	CARBON STEEL
16	HANDWHEEL	CARBON STEEL
17	NUT	CARBON STEEL
18	OIL CUP	
19	BOLT	CARBON STEEL
20	GLAND	GS-C25
21	BONNET	GS-C25
22	BOLT	ASTM A193 B7

Performance Specification

Nominal Pressure		PN 40
Test Pressure	Intensity Test	6.0 Mpa
	Sealing Test (water)	4.4 Mpa
Working Temperature		-29 ~ 425 °C
Suitable Medium		Water, Oil & Gas

Dimension in mm

NPS	DN	L	ØD	ØD0	ØD1	g	f	n x Ød	H	W
8"	200	600	375	320	285	34	3	12 x 30	630	400
10"	250	730	450	385	345	38	3	12 x 33	680	450
12"	300	850	515	450	410	42	4	16 x 33	720	500