

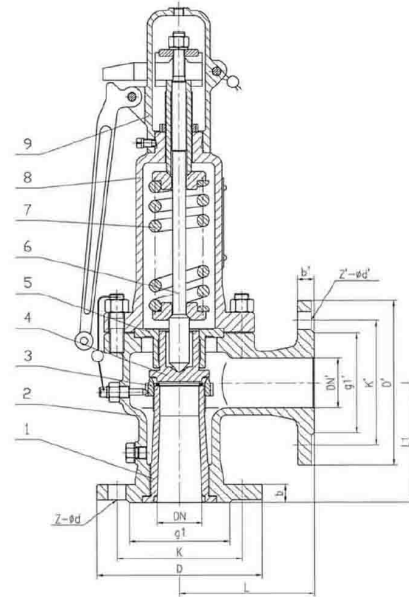
LOW LIFT SAFETY VALVE FLANGED END PN16

Model : ARV-207FE(D)



Closed Bonnet

Open Bonnet



Technical Data

Specification

Type	With Lever	
	Closed Bonnet	Open Bonnet
Suitable Working Fluid	Water, Oil	Gas, Steam
Design Standard	DIN 3320	
Face to Face Dimension	DIN 3202	
Flange Standard	DIN 2543-2545	
Test & Inspection	DIN 3230	
Shell Test Pressure	2.4 Mpa	
Back Seat Test	1.76 Mpa	
Working Temperature	-20~350°C	

Material

No	PART	MATERIAL
1	NOZZLE	2Cr13
2	BODY	WCB
3	ADJUSTING RING	2Cr13
4	DISC	2Cr13
5	GUIDE	2Cr13
6	STEM	2Cr13
7	SPRING	50CrVA
8	BONNET	WCB
9	CAP	WCB

Dimension in mm

TYPE	Inlet						Outlet							
	Dn	D	K	g1	b	Z-Ød	Dn	D	K	g1	b	Z-Ød	L	L1
DN25 X DN25	25	115	85	65	15	4-Ø14	25	115	85	65	15	4-Ø14	100	85
DN40 X DN40	40	150	100	85	17	4-Ø18	40	150	100	85	17	4-Ø18	120	110
DN50 X DN50	50	165	125	100	18	4-Ø18	50	165	125	100	18	4-Ø18	135	120
DN65 X DN65	65	185	145	120	18	4-Ø18	65	185	145	120	18	4-Ø18	140	130
DN80 X DN80	80	200	160	135	20	8-Ø18	80	200	160	135	20	8-Ø18	160	135
DN100 X DN100	100	220	180	155	21	8-Ø18	100	220	180	155	21	8-Ø18	170	160
DN125 X DN125	125	250	210	185	22	8-Ø18	125	250	210	185	22	8-Ø18	190	190
DN150 X DN150	150	285	240	210	24	8-Ø23	150	285	240	210	24	8-Ø23	205	195
DN200 X DN200	200	340	295	265	27	12-Ø23	200	340	295	265	27	12-Ø23	240	230

The contents of this literature are for informative purposes only. Arita is not responsible for suitability or compatibility of these products in relation to system requirement. For specific requirements, consult Arita or its distributors. Arita reserves the right to change or modify product design without prior notice.



UNIMECH GROUP, MALAYSIA



A MEMBER OF UNIMECH GROUP, MALAYSIA

LOW LIFT SAFETY VALVE FLANGED END PN 16

Model : ARV-207FE(D)

Flow Capacities for Steam(KG/H)

	DN25 /25	DN32 /32	DN40 /40	DN50 /50	DN65 /65	DN80 /80	DN100 /100	DN125 /125	DN150 /150	DN200 /200
0.1 MPa	52	81	133	208	325	548	831	1298	2028	2921
0.2 MPa	79	124	203	317	495	836	1266	1978	3091	4451
0.3 MPa	106	166	272	425	665	1123	1701	2658	4153	5981
0.4 MPa	134	209	342	534	835	1410	2136	3338	5216	7511
0.5 MPa	161	251	411	643	1005	1698	2572	4018	6278	9041
0.6 MPa	188	294	481	752	1175	1985	3007	4698	7341	10571
0.7 MPa	215	336	551	861	1345	2272	3442	5378	8403	12101
0.8 MPa	242	379	620	969	1515	2560	3877	6058	9466	13631
0.9 MPa	270	421	690	1078	1685	2847	4312	6738	10591	15161
1.0 MPa	297	464	760	1187	1855	3134	4748	7418	11591	16691
1.1 MPa	324	506	829	1296	2025	3422	5183	8098	12654	18221
1.2 MPa	351	549	899	1405	2195	3709	5618	8778	13716	19751
1.3 MPa	378	591	969	1513	2365	3996	6053	9458	14779	21281
1.4 MPa	406	634	1038	1622	2535	4283	6488	10138	15841	22811
1.5 MPa	433	676	1108	1731	2705	4571	6924	10818	16904	24341
1.6 MPa	460	719	1177	1840	2875	4858	7359	11498	17966	25871

Flow Capacities for Water (KG/H)

	DN25 /25	DN32 /32	DN40 /40	DN50 /50	DN65 /65	DN80 /80	DN100 /100	DN125 /125	DN150 /150	DN200 /200
0.1 MPa	1224	2177	3632	5748	8707	14999	20694	28603	41664	68873
0.2 MPa	1732	3078	5136	8129	12313	21212	29266	40451	58921	97401
0.3 MPa	2121	3770	6290	9956	15081	25979	35843	49542	72164	119291
0.4 MPa	2449	4353	7263	11496	17414	29998	41388	57207	83327	137745
0.5 MPa	2738	4867	8121	12853	19469	33539	46273	63959	93163	154004
0.6 MPa	2999	5332	8896	14079	21327	36740	50689	70064	102055	168703
0.7 MPa	3239	5759	9608	15207	23036	39683	65751	75677	110232	182220
0.8 MPa	3463	6157	10272	16257	23627	42423	58531	80903	117843	194801
0.9 MPa	3673	6530	10895	17244	26121	44997	62082	85810	124991	206618
1.0 MPa	3872	6883	11484	18176	27533	47431	65440	90452	131752	217794
1.1 MPa	4061	7219	12045	19064	28877	49746	68634	94867	138183	228424
1.2 MPa	4341	7540	12580	19911	30161	51958	71686	99085	144327	238582
1.3 MPa	4415	7848	13094	20724	31393	54079	74613	103131	150220	248324
1.4 MPa	4581	8145	13588	21507	32578	56121	77429	107024	155891	257698
1.5 MPa	4742	8430	14065	22261	33721	58091	80147	110780	161363	266742
1.6 MPa	4898	8707	14527	22992	34827	59996	82776	114413	166655	275490

The contents of this literature are for informative purposes only. Arita is not responsible for suitability or compatibility of these products in relation to system requirement. For specific requirements, consult Arita or its distributors. Arita reserves the right to change or modify product design without prior notice.