



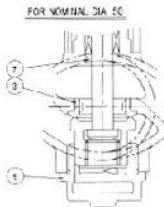
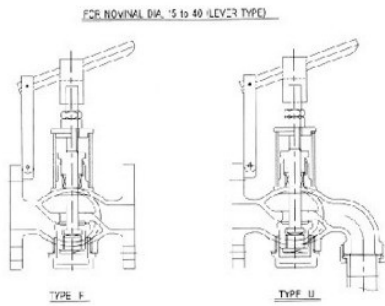
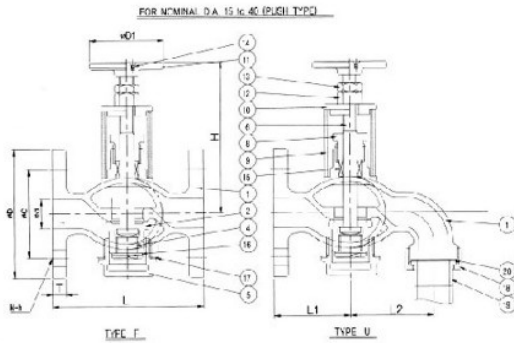
Cast Bronze Marine Valves

TYPE DESIGNATION

MBC-SSV

FUEL OIL TANK SELF-CLOSING DRAIN VALVES

JIS F7398



MATERIALS

NO.	PARTS	MATERIAL
1	BODY(15A-40A)	BRONZE
1	BODY(50A)	BRONZE / CAST STEEL
2	DISC	BRONZE
3	SEAT RING	INTEGRAL / BRONZE
4	PLUG	BRONZE
5	BONNET(15A-40A)	BRONZE
5	BONNET(50A)	BRONZE / CAST STEEL
6	STEM	BRASS
7	PACKING BUSH	BRASS
8	PACKING GLAND	BRASS
9	SPRING	SWP-A
10	SPRING SUPPORT	BRONZE / STEEL
11	HANDLE	STEEL
12	NUT	BRASS
13	NUT	BRASS
14	SET SCREW	BRASS
15	PACKING	NON ASBESTOS
16	GASKET	NON ASBESTOS
17	GASKET	NON ASBESTOS
18	UNICK NUT	STEEL
19	NIPPLE	STEEL
20	GASKET	NON ASBESTOS

TEST PRESSURE(kgf/cm²)

RATING	JIS 5K/ 10K
HYDROSTATIC PRESS TEST(SHELL)	1.5
HYDROSTATIC PRESS TEST(SEAT)	1.1

DIMENSIONS

Unit:mm

RATING	SIZE	Ød	ØD	ØC	N-Øh	t	L	L1	H	weight(kg)
JIS 5K (JIS F7398)	15A	25	80	60	4-12	10	130	65	130	4.7
	20A	25	85	65	4-12	10	130	65	130	4.7
	25A	25	95	75	4-12	10	130	65	130	4.7
	32A	40	115	90	4-15	12	180	90	165	8.1
	40A	40	120	95	4-15	12	180	90	165	8.1
JIS 10K (JIS F7398)	50A	50	130	105	4-15	14	220	110	195	12.4
	15A	25	95	70	4-15	14	130	65	130	4.7
	20A	25	100	75	4-15	14	130	65	130	4.7
	25A	25	125	90	4-19	14	130	65	130	4.7
	32A	40	135	100	4-19	16	180	90	165	8.1
40A	40	140	105	4-19	16	180	90	165	8.1	
50A	50	155	120	4-19	16	220	110	195	12.4	

REMARK: 1.The flanges shall nominal diameter 15 to 50 shall conform to JIS B 2240

