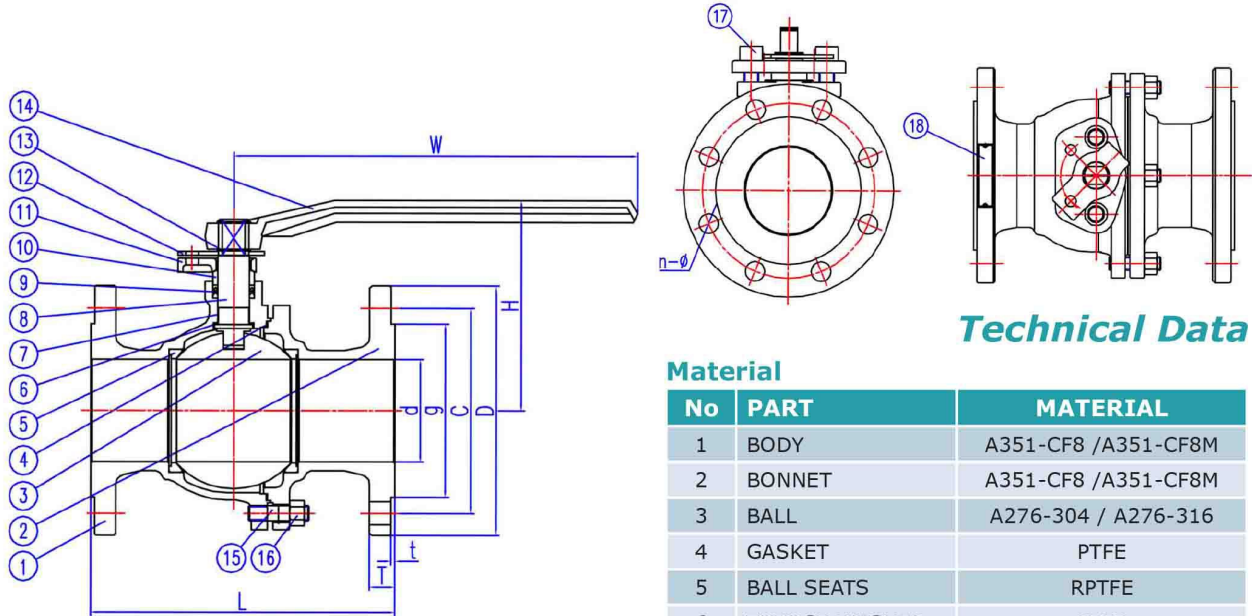


2-PC BODY BALL VALVE FLANGED END PN 16

Model : ARV-100FE(D)-2PC



Technical Data

Material

No	PART	MATERIAL
1	BODY	A351-CF8 /A351-CF8M
2	BONNET	A351-CF8 /A351-CF8M
3	BALL	A276-304 / A276-316
4	GASKET	PTFE
5	BALL SEATS	RPTFE
6	THRUST WASHER	PTFE
7	STEM BUSHING	PTFE (for 2" above)
8	STEM	A276-304 / A276-316
9	PACKING	PTFE
10	GLAND	A276-304 / A276-316
11	GLAND FLANGE	A351-CF8
12	LOCK PLATE	A276-304
13	RETAINING RING	A276-304
14	HANDLE	QT400-15
15	BONNET BOLT	A193-B8
16	NUT	A194-8
17	HEX. BOLT	A193-B8
18	NAMEPLATE	A276-304

Features :

Pressure - temperature rating : ASME B16.34

Face to Face : GB/T 12221

End Flange dimension according to GB/T 9113.1

Inspection and Test : API598

Nominal pressure	PN 16	
Test Pressure	Shell Test	2.4 Mpa
Applicable Medium	Water, Oil, Gas	
Applicable Temperature	-29 ~ 120 °C	

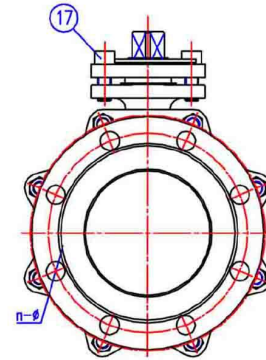
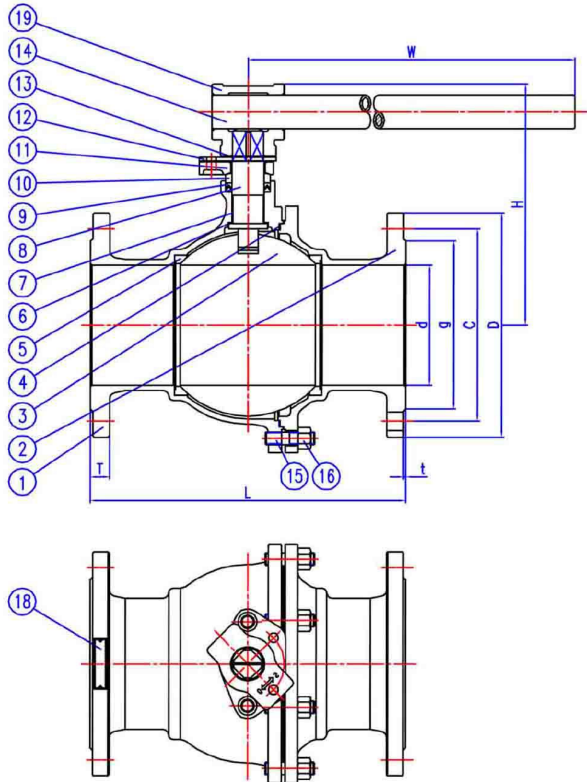
Dimension in mm

SIZE		d	L	D	C	g	T	t	n-Ød	H	W	Weight (kg)
DN	in.											
15	1/2"	15	130	95	65	46	14	2	4-Ø14	73	115	2.22
20	3/4"	20	130	105	75	56	16	2	4-Ø14	77	115	2.8
25	1"	25	140	115	85	65	16	2	4-Ø14	94	150	4
32	1.1/4"	32	165	140	100	76	18	2	4-Ø18	100	150	6.2
40	1.1/2"	40	165	150	110	84	18	2	4-Ø18	115.5	200	7
50	2"	50	203	165	125	99	20	2	4-Ø18	124	200	9.7
65	2.1/2"	65	222	185	145	118	20	2	4-Ø18	156	320	15.2
80	3"	80	241	200	160	132	20	2	8-Ø18	165	320	18.6
100	4"	100	305	220	180	156	22	2	8-Ø18	196	450	30.2

The contents of this literature are for informative purposes only. Arita is not responsible for suitability or compatibility of these products in relation to system requirement. For specific requirements, consult Arita or its distributors. Arita reserves the right to change or modify product design without prior notice.

2-PC BODY BALL VALVE FLANGED END PN 16

Model : ARV-100FE(D)-2PC



Technical Data

Material

No	PART	MATERIAL
1	BODY	A351-CF8 / A351-CF8M
2	BONNET	A351-CF8 / A351-CF8M
3	BALL	A276-304 / A276-316
4	GASKET	PTFE
5	BALL SEATS	RPTFE
6	THRUST WASHER	PTFE
7	STEM BUSHING	PTFE
8	STEM	A276-304 / A276-316
9	PACKING	PTFE
10	GLAND	A276-304 / A276-316
11	GLAND FLANGE	A351-CF8
12	LOCK PLATE	A276-304
13	RETAINING RING	A276-304
14	HANDLE	QT400-15
15	BONNET BOLT	A193-B8
16	NUT	A194-8
17	HEX. BOLT	A193-B8
18	NAMEPLATE	A276-304
19	HANDLE HUB	A216-WCB

Features :

Pressure - temperature rating : ASME B16.34

Face to Face : GB/T 12221

End Flange dimension according to GB/T 9113.1

Inspection and Test : API598

Nominal pressure	PN 16	
Test Pressure	Shell Test	2.4 Mpa
Applicable Medium	Water, Oil, Gas	
Applicable Temperature	-29 ~ 120 °C	

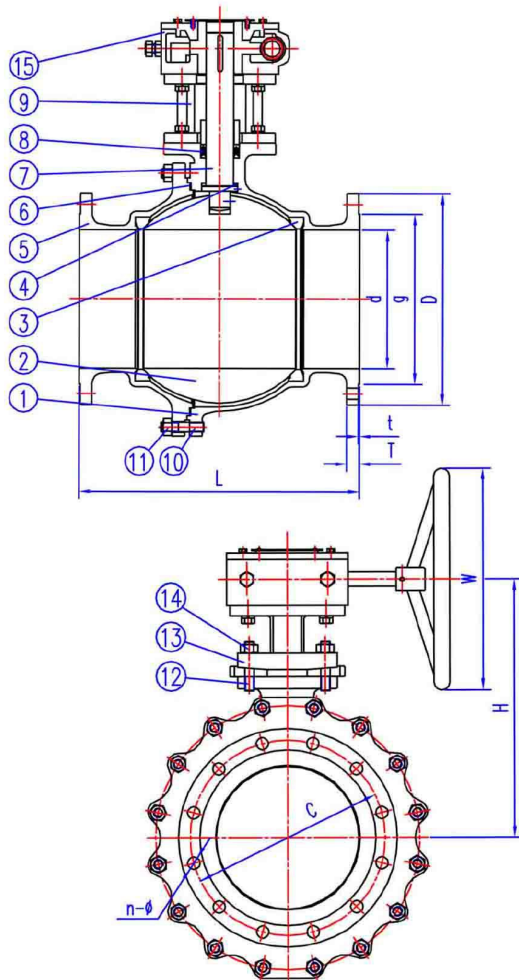
Dimension in mm

SIZE		d	L	D	C	g	T	t	n-Ød	H	W	Weight (kg)
DN	in.											
125	5"	125	356	250	210	184	22	2	8-18	284	800	42
150	6"	150	394	285	240	211	26	2	8-23	301	800	63
200	8"	200	457	340	295	266	29	2	12-22	396	940	102.5
250	10	250	533	405	355	320	31	2	12-26	444	940	148

The contents of this literature are for informative purposes only. Arita is not responsible for suitability or compatibility of these products in relation to system requirement. For specific requirements, consult Arita or its distributors. Arita reserves the right to change or modify product design without prior notice.

2-PC BODY BALL VALVE FLANGED END PN 16

Model : ARV-100FE(D)-2PC



Technical Data

Features :

Pressure - temperature rating : ASME B16.34

Face to Face : GB/T 12221

End Flange dimension according to GB/T 9113.1

Inspection and Test : API598

Material

No	PART	MATERIAL
1	BODY	A351-CF8 / A351-CF8M
2	BONNET	A351-CF8 / A351-CF8M
3	BALL	A276-304 / A276-316
4	GASKET	PTFE
5	BALL SEATS	RPTFE
6	THRUST WASHER	PTFE
7	STEM BUSHING	PTFE
8	STEM	A276-304 / A276-316
9	PACKING	PTFE
10	GLAND	A276-304 / A276-316
11	GLAND FLANGE	A351-CF8
12	LOCK PLATE	A276-304
13	RETAINING RING	A276-304
14	HANDLE	QT400-15
15	BONNET BOLT	A193-B8
16	NUT	A194-8
17	HEX. BOLT	A193-B8
18	NAMEPLATE	A276-304
19	HANDLE HUB	A216-WCB

Nominal pressure	PN 16	
Test Pressure	Shell Test	2.4 Mpa
Applicable Medium	Water, Oil, Gas	
Applicable Temperature	-29 ~ 120 °C	

Dimension in mm

SIZE		d	L	D	C	g	T	t	n-Ød	H	W	Weight (kg)
DN	in.											
200	8"	203	457	340	295	268	24	2	12-22	413	300	112
250	10"	250	533	405	355	320	26	2	12-26	450	300	175
300	12"	300	610	460	410	378	28	2	12-26	544	300	296

The contents of this literature are for informative purposes only. Arita is not responsible for suitability or compatibility of these products in relation to system requirement. For specific requirements, consult Arita or its distributors. Arita reserves the right to change or modify product design without prior notice.