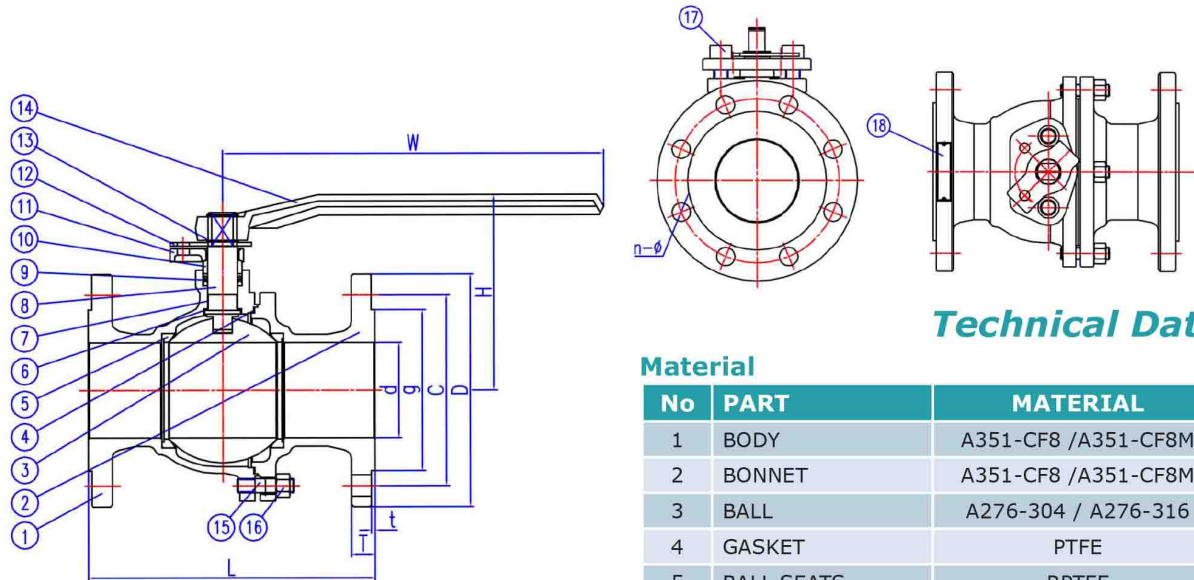


2-PC BODY BALL VALVE FLANGED END 150 LB

Model : ARV-100FE(A)-2PC



Technical Data

Material

No	PART	MATERIAL
1	BODY	A351-CF8 / A351-CF8M
2	BONNET	A351-CF8 / A351-CF8M
3	BALL	A276-304 / A276-316
4	GASKET	PTFE
5	BALL SEATS	RPTFE
6	THRUST WASHER	PTFE
7	STEM BUSHING	PTFE (for 2" above)
8	STEM	A276-304 / A276-316
9	PACKING	PTFE
10	GLAND	A276-304 / A276-316
11	GLAND FLANGE	A351-CF8
12	LOCK PLATE	A276-304
13	RETAINING RING	A276-304
14	HANDLE	QT400-15
15	BONNET BOLT	A193-B8
16	NUT	A194-8
17	HEX. BOLT	A193-B8
18	NAMEPLATE	A276-304

Features :

- Pressure - temperature rating : ASME B16.34
- Face to Face : ASME B16.10
- End Flange dimension according to ASME B16.5
- Inspection and Test : API598

Nominal pressure	CL 150	
Test Pressure	Shell Test	3.1 Mpa
Applicable Medium	Water, Oil, Gas	
Applicable Temperature	-29 ~ 120 °C	

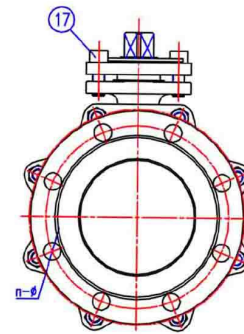
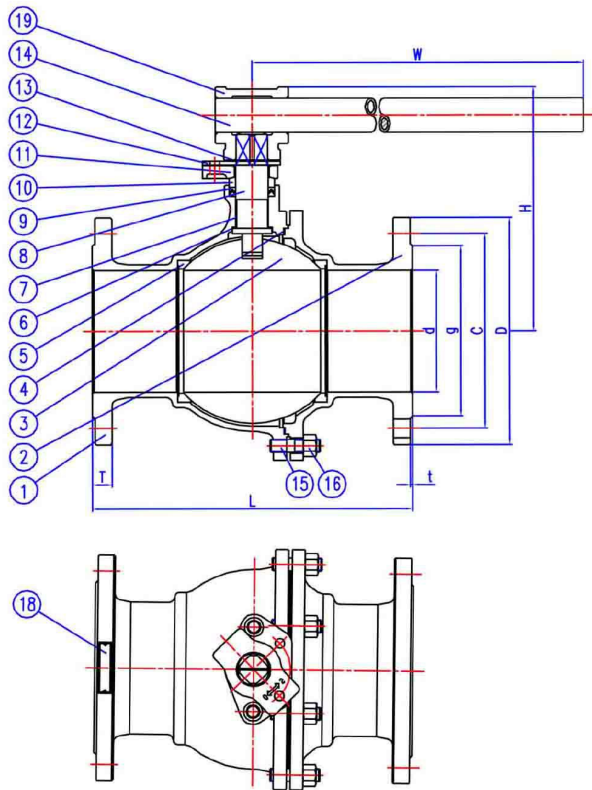
Dimension in mm

SIZE		d	L	D	C	g	T	t	n-Ød	H	W	Weight (kg)
DN	in.											
15	1/2"	15	108	90	60.3	35	10	2	4-16	73	115	1.9
20	3/4"	20	117	100	69.9	43	10.9	2	4-16	77	115	2.4
25	1"	25	127	110	79.4	51	11.6	2	4-16	94	150	3.5
32	1.1/4"	32	140	115	88.9	63.5	13.2	2	4-16	100	150	4.5
40	1.1/2"	40	165	125	98.4	73	14.7	2	4-16	116	200	5.9
50	2"	50	178	150	120.7	92	16.3	2	4-19	124	200	9
65	2.1/2"	65	190	180	139.7	105	17.9	2	4-19	156	320	14.4
80	3"	80	203	190	152.4	127	19.5	2	4-19	165	320	16
100	4"	100	229	230	190.5	157	24.3	2	8-19	196	450	29

The contents of this literature are for informative purposes only. Arita is not responsible for suitability or compatibility of these products in relation to system requirement. For specific requirements, consult Arita or its distributors. Arita reserves the right to change or modify product design without prior notice.

2-PC BODY BALL VALVE FLANGED END 150 LB

Model : ARV-100FE(A)-2PC



Technical Data

Material

No	PART	MATERIAL
1	BODY	A351-CF8 / A351-CF8M
2	BONNET	A351-CF8 / A351-CF8M
3	BALL	A276-304 / A276-316
4	GASKET	PTFE
5	BALL SEATS	RPTFE
6	THRUST WASHER	PTFE
7	STEM BUSHING	PTFE
8	STEM	A276-304 / A276-316
9	PACKING	PTFE
10	GLAND	A276-304 / A276-316
11	GLAND FLANGE	A351-CF8
12	LOCK PLATE	A276-304
13	RETAINING RING	A276-304
14	HANDLE	QT400-15
15	BONNET BOLT	A193-B8
16	NUT	A194-8
17	HEX. BOLT	A193-B8
18	NAMEPLATE	A276-304
19	HANDLE HUB	A216-WCB

Features :

Pressure - temperature rating : ASME B16.34

Face to Face : ASME B16.10

End Flange dimension according to ASME B16.5

Inspection and Test : API598

Nominal pressure	CL 150	
Test Pressure	Shell Test	3.1 Mpa
Applicable Medium	Water, Oil, Gas	
Applicable Temperature	-29 ~ 120 °C	

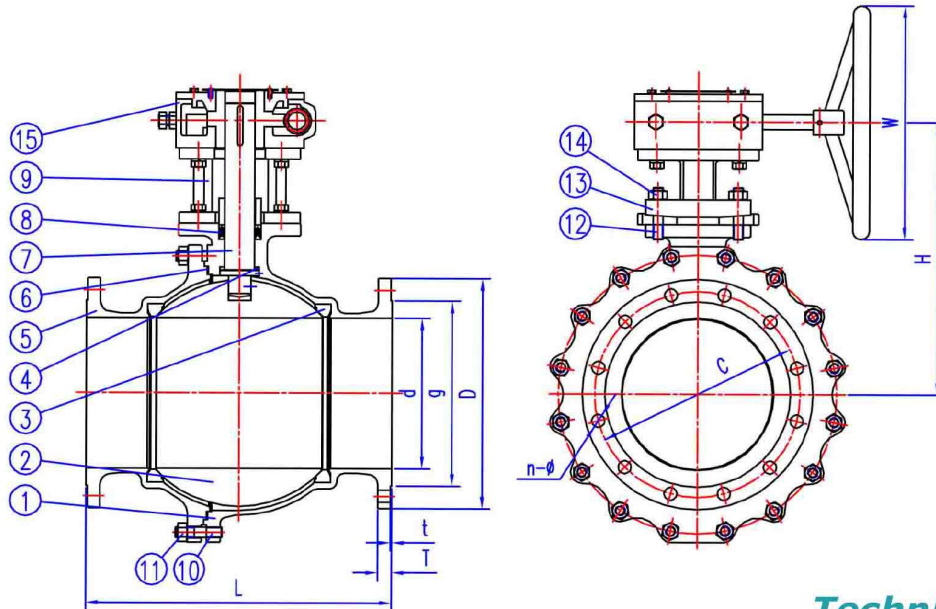
Dimension in mm

SIZE		d	L	D	C	g	T	t	n-Ød	H	W	weight (kg)
DN	in.											
125	5"	125	356	255	215.9	186	24.3	2	8-22	284	800	43
150	6"	150	394	280	241.3	216	25.9	2	8-22	301	800	53.4
200	8"	200	457	345	298.5	270	29	2	8-22	396	940	108.4
250	10	250	533	405	362	324	30.6	2	12-25	444	940	151

The contents of this literature are for informative purposes only. Arita is not responsible for suitability or compatibility of these products in relation to system requirement. For specific requirements, consult Arita or its distributors. Arita reserves the right to change or modify product design without prior notice.

2-PC BODY BALL VALVE FLANGED END 150 LB

Model : ARV-100FE(A)-2PC



Technical Data

Features :

- Pressure - temperature rating : ASME B16.34
- Face to Face : ASME B16.10
- End Flange dimension according to ASME B16.5
- Inspection and Test : API598

Nominal pressure		CL 150	
Test Pressure	Shell Test	3.1 Mpa	
Applicable Medium		Water, Oil, Gas	
Applicable Temperature		-29 ~ 120 °C	

Material

No	PART	MATERIAL
1	BODY	A351-CF8 / A351-CF8M
2	BALL	A276-304 / A351-316
3	BALL SEATS	RPTFE
4	THRUST WASHER	PTFE
5	BONNET	A351-CF8 / A351-CF8M
6	GASKET	PTFE
7	STEM	A276-304 / A276-316
8	PACKING	PTFE
9	YOKE	A216-WCB
10	BONNET	A193-B8
11	NUT	A194-8
12	HEX.BOLT	A193-B8
13	GLAND FLANGE	A351-CF8
14	NUT	A194-8
15	GEAR	C.S.

Dimension in mm

SIZE		d	L	D	C	g	T	t	n-Ød	H	W	Weight (kg)
DN	in.											
200	8"	200	457	345	298.5	270	29	2	8-22	413	300	118
250	10"	250	533	405	362	324	30.6	2	12-25	450	300	168
300	12"	300	610	485	431.8	381	32.2	2	12-25	544	300	306

The contents of this literature are for informative purposes only. Arita is not responsible for suitability or compatibility of these products in relation to system requirement. For specific requirements, consult Arita or its distributors. Arita reserves the right to change or modify product design without prior notice.