



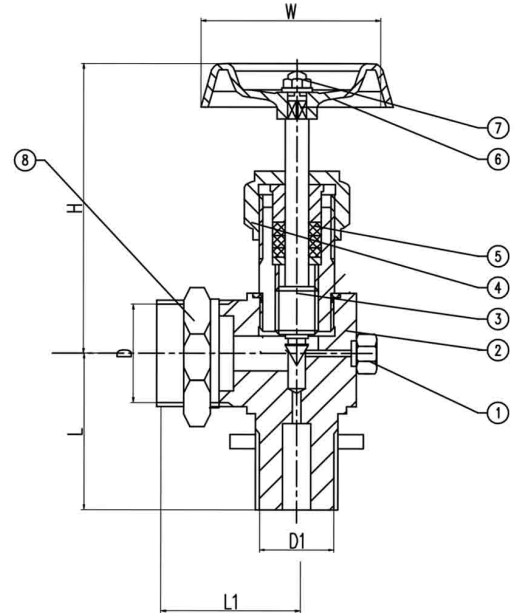
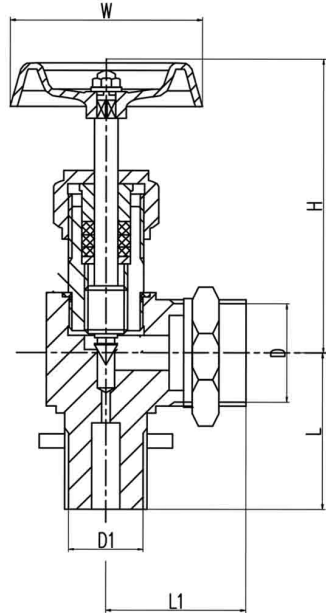
UNIMECH GROUP, MALAYSIA



A MEMBER OF UNIMECH GROUP, MALAYSIA

## WATER GAUGE VALVE SCREWED END

Model : ARV-121SE



### Technical Data

#### Features :

Max. Pressure Range : 150 PSI

Max. Temperature : 100 °C

Body Material : CF8

Thread : BSPT

#### Material

No	PART	MATERIAL
1	PLUG NOZZLE	SS 304
2	BODY	SS 304
3	STEM	SS 304
4	GLAND	SS 304
5	PACKING NUT	PTFE
6	HAND WHEEL	PLASTIC
7	CAP NUT	SS 304
8	GLASS NUT	SS 304

#### Dimension in mm

Size	DN	L	L1	D	D1	H	W
1/2"	15	50	50	M33 X 2	G1 / 2	80	76

The contents of this literature are for informative purposes only. Arita is not responsible for suitability or compatibility of these products in relation to system requirement. For specific requirements, consult Arita or its distributors. Arita reserves the right to change or modify product design without prior notice.