



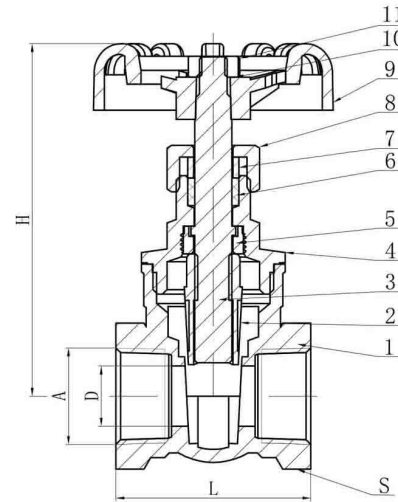
UNIMECH GROUP, MALAYSIA



A MEMBER OF UNIMECH GROUP, MALAYSIA

GATE VALVE SCREWED END

Model : ARV-1001SE



Technical Data

Specification

Nominal Pressure	PN ≤ 1.6 Mpa
Shell Test Pressure	2.4 Mpa
Applicable Temperature	-20~ 110°C
Applicable Media	water, non-corrosive liquid
Screwed End	BSPT

Material

No	PART	MATERIAL
1	BODY	BRASS
2	DISC	BRASS
3	STEM	BRASS
4	BONNET	BRASS
5	LOCK THE CAP	BRASS
6	FILLERS	TEFLON
7	COPPER RINGS	BRASS
8	PRESSURE CAP	BRASS
9	HANDWHEEL	ALUMINIUM
10	NAMEPLATE	ALUMINIUM
11	NUTS	IRON

Dimension in mm

Size		D	L	H	S	Weight (kg)
DN	A					
15	Rc1/2"	13	42	75	28	0.245
20	Rc3/4"	19.5	48.5	84	34	0.35
25	Rc1"	25	51	96	39	0.47
32	Rc1.1/4"	31.5	59.5	115	48	0.705
40	Rc1.1/2"	37	63	124	55	0.92
50	Rc2"	49	71	151	68	1.5
65	Rc2.1/2"	55	84	185	86	2.75
80	Rc3"	66	92	202	100	3.61
100	Rc4"	84	117	238	124	6.55

The contents of this literature are for informative purposes only. Arita is not responsible for suitability or compatibility of these products in relation to system requirement. For specific requirements, consult Arita or its distributors. Arita reserves the right to change or modify product design without prior notice.

Our Ref. : THG101- 09/23