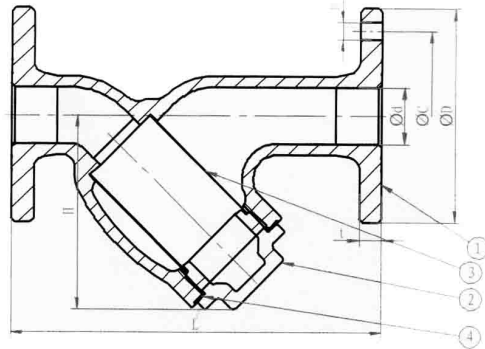




Y TYPE STRAINER JIS F 7220



Technical Data

Material

No	PART	MATERIAL
1	BODY	BRONZE (BC6)
2	BONNET	BRONZE (BC6)
3	STRAINER	SUS 304
4	GASKET	NON-ASBESTOS

Dimension in mm

5K	DN	d	L	D	C	NO.	h	t	H
	15	25	165	80	60	4	12	9	86
	20	25	165	85	65	4	12	10	86
	25	25	165	95	75	4	12	10	86
	32	40	170	115	90	4	15	12	106
	40	40	170	120	95	4	15	12	106
50	50	320	130	105	4	15	16	208	

10K	DN	d	L	D	C	NO.	h	t	H
	15	25	165	95	70	4	12	12	86
	20	25	165	100	75	4	15	14	86
	25	25	165	125	90	4	19	14	86
	32	40	170	135	100	4	19	16	106
	40	40	170	140	105	4	19	16	106
50	50	320	155	120	4	19	16	208	

The contents of this literature are for informative purposes only. Arita is not responsible for suitability or compatibility of these products in relation to system requirement. For specific requirements, consult Arita or its distributors. Arita reserves the right to change or modify product design without prior notice.