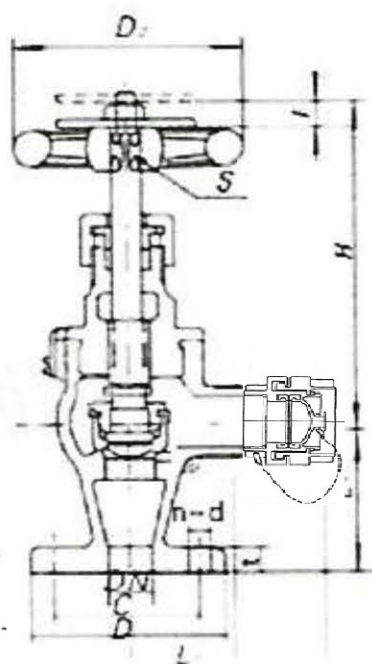


Marine Bronze Fire fighting Valve Angle Type 5k/10k



Main data for drawing

(STORZ COUPLING)
50A & 65A

DN	PN	L	L1	L2	D	C	t	n	d	H	D2	S	M	kg
40	5K	124	75	120	95	95	12	4	15	165	140	12	52*2	5.39
50	5K	155	100	130	105	105	14	4	19	255	160	14	64*2	8.5
40	10K	124	75	140	105	105	16	4	19	165	140	12	52*2	6.19
50	10K	160	105	155	120	120	16	4	19	240	160	14	64*2	8.3
65	10K	180	120	175	140	140	18	4	19	255	200	17	80*2	9

Material of major parts

Part name	Material name	Material mark
Body bonnet	Tin-bronze	ZQSn10-21
Disc.seat	AL bronze	Qal9-21
Packing	Ptfe	Sft-2

Capability

Nominal pressure (Mpa)	Test Pressure Mpa		
	Seal pressure	Intensity pressure	Water pressure test
0.49	0.75	1.03	0.69
0.98	1.50	2.06	1.37