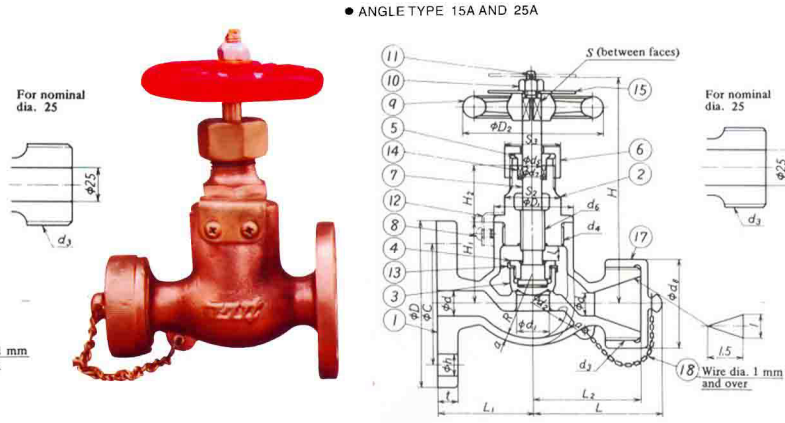
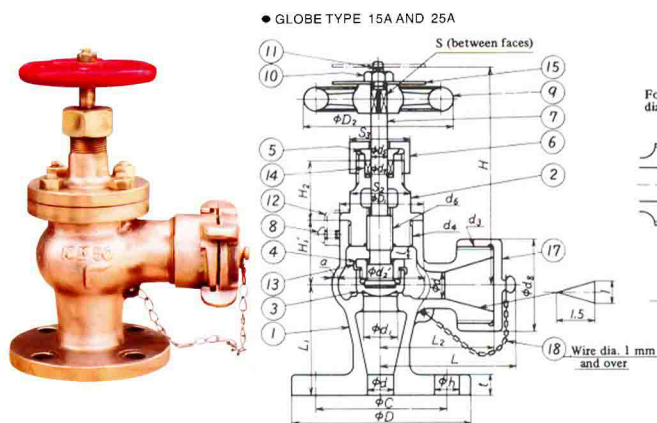


JIS F 7334

MARINE BRONZE 5/10kg/cm² HOSE VALVES

MATERIALS

NO.	PARTS	MATERIAL
1	Body	Bronze
2	Bonnet	Bronze or Brass
3	Disc	Bronze or Brass
4	Disc nut	Brass
5	Packing gland	Brass
6	Gland nut	Brass
7	Stem	Brass
8	Set screw	Brass
9	Handwheel	Cast Iron
10	Hexagon nut	Brass
11	Split pin	Brass
12	Lock plate	Brass
13	Disc lock washer	Brass
14	Packing	Teflon
15	Name plate	Brass
17	Cap	Bronze or Brass
18	Chain	Brass or Al

FLUID CONDITION & MAX. WORKING PRESSURE (kgf/cm²)

FLUID CONDITION	RATING	
	5	10
STEAM UP TO 205 °C	5	10
AIR, GAS, OIL AND PULSATION WATER	5	10
NON SHOCK WATER	7	14

TEST PRESSURE (kgf/cm²)

RATING	5	16
SHEEL HYD' TEST	10.5	33
SEAT HYD' TEST	7.7	15.4
COUPLER	7	14

DIMENSIONS (ANGLE TYPE)

Unit: mm

RATING	SIZE	FACE TO FACE	FLANGE			HEIGHT	HANDLE DIA	WEIGHT (Kg)
			DIA	PCD	BOLT HOLE			
5K	15	M42X2	80	60	4 - 12	120	80	2.41
10K			95	70	4 - 15	120	80	2.72
5K	25		95	75	1 - 12	145	125	3.44
10K			125	90	4 - 15	145	125	4.04

DIMENSIONS (GLOBE TYPE)

Unit: mm

RATING	SIZE	FACE TO FACE	FLANGE			HEIGHT	HANDLE DIA	WEIGHT (Kg)
			DIA	PCD	BOLT HOLE			
5K	15	M42X2	80	60	4 - 12	130	80	2.51
10K			95	70	4 - 15	130	80	2.76
5K	25		95	75	1 - 12	160	125	3.55
10K			125	90	4 - 19	160	125	4.15