

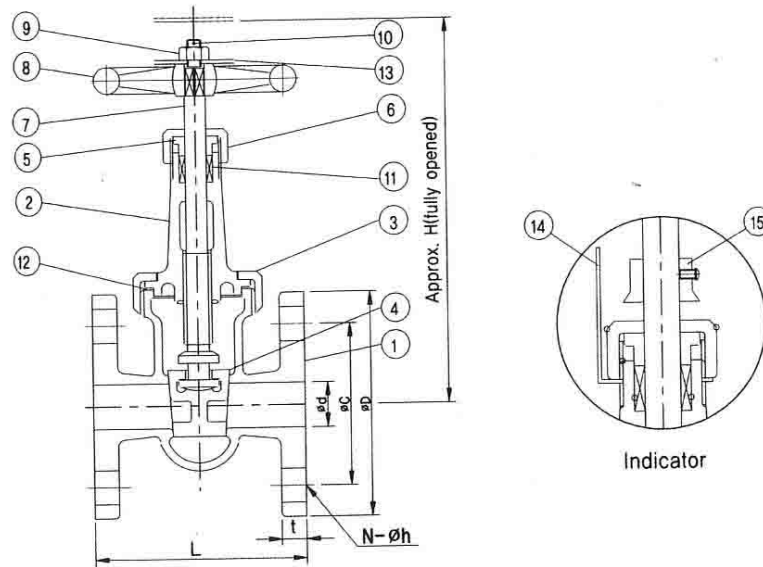
TYPE DESIGNATION

MBC-GV JIS 5K GATE VALVES

JIS F7367

MBC-GV JIS 10K GATE VALVES

JIS F7368



FLUID CONDITION & MAX.WORKING PRESSURE (kgf/cm²)

Rating	Rating	
	JIS5K	JIS10K
Oil and Pulsation water	5	10
Saturated steam	2	2
Non-Shock Water to 120 °C	7	14

TEST PRESSURE(kgf/cm²)

RATING	JIS 5K	JIS 10K
HYDROSTATIC PRESS TEST(SHELL)	10.5	21
HYDROSTATIC PRESS TEST(SEAT)	7	15.4

MATERIALS

Union Bonnet Intergral seat
Rising Stem Flanged Ends

NO.	PARTS	MATERIAL
1	BODY	BRONZE
2	BONNET	BRONZE
3	BONNET NUT	BRONZE
4	DISC	BRONZE
5	PACKING GLAND	BRONZE
6	PACKING GLAND NUT	BRASS
7	STEM	BRASS
8	HANDWHEEL	CAST IRON
9	HEXAGON NUT	BRASS
10	SPLIT PIN	BRASS
11	PACKING	NON ASBESTOS
12	GASKET	NON ASBESTOS
13	WASHER	STEEL
14	INDICATOR PLATE	BRASS
15	INDICATOR PLIECE	BRASS

DIMENSIONS

Unit:mm

RATING	SIZE	Ød	ØD	ØC	N - øh	t	L	H	weight(kg)
JIS 5K (JISF7367)	15A	15	80	60	4-12	9	90	175	2.29
	20A	20	85	65	4-12	10	100	200	2.98
	25A	25	95	75	4-12	10	110	220	4.1
	32A	32	115	90	4-15	12	130	250	5.79
	40A	40	120	95	4-15	12	140	290	7.78
JIS 10K (JISF7368)	15A	15	95	70	4-15	12	100	175	2.96
	20A	20	100	75	4-15	14	110	200	3.89
	25A	25	125	90	4-19	14	120	220	5.82
	32A	32	135	100	4-19	16	140	250	7.52
	40A	40	140	105	4-19	16	150	290	9.71

REMARK: 1.The flanges shall conform to nominal pressure 5K and 10K of JIS B 2240