



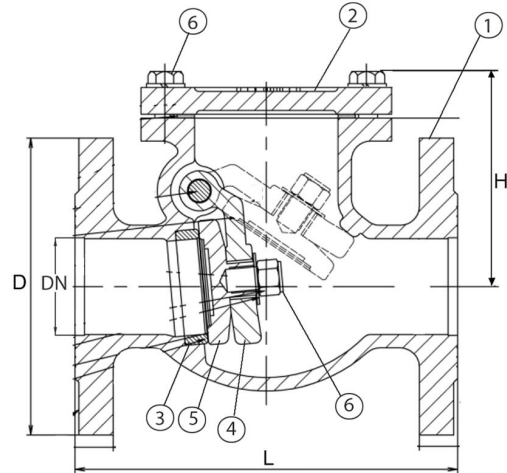
UNIMECH GROUP, MALAYSIA



A MEMBER OF UNIMECH GROUP, MALAYSIA

SWING CHECK VALVE FLANGED END PN16

ARV-803FE(D)



Features :

- Conforms to BS EN 1171
- Flanged to BS EN1092-2-PN16
- Working Pressure : PN 16
- Test Pressure Shell : 24 kgf/cm²
- Seat : 17.6 kgf/cm²
- Working Temperature : -10 to 120°C

Technical Data

Material

No	PART	MATERIAL
1	BODY	CAST IRON
2	BONNET	CAST IRON
3	DISC	CAST IRON
4	SEAT RING	CAST BRONZE / STAINLESS STEEL
5	INGE PEN	STAINLESS STEEL
6	DRAIN PLUG	CARBON STEEL

Dimension in mm

SIZES	1.1/2"	2"	2.1/2"	3"	4"	5"	6"	8"	10"	12"
DN	40	50	65	80	100	125	150	200	250	300
L	190	203	220	240	292	330	356	495	622	698
H	100	105	115	140	155	170	203	246	283	330
D	150	165	185	200	220	250	285	340	405	460

Note :

1. BS EN 1171 is equivalent to BS 5150
2. BS EN 1092-2 PN16 is equivalent to BS4504 PN16

The contents of this literature are for informative purposes only. Arita is not responsible for suitability or compatibility of these products in relation to system requirement. For specific requirements, consult Arita or its distributors. Arita reserves the right to change or modify product design without prior notice.