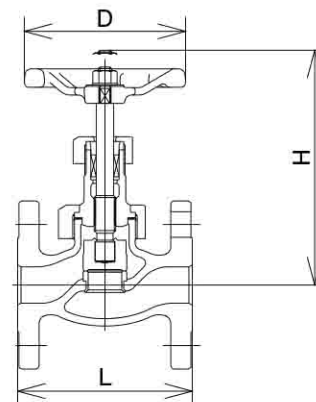


Product Code **M300FG**

300lb

Globe Valve Flanged

Product Name	Material	Remarks
Body	FCD-S	
Cover	FCD-S	
Stem	SUS403	
Disc	SUS403	Hard facing
Seat ring	SUS403	Hard facing
Handwheel	FCMB340	Color: Brown / Nominal diameter: 1/2-1 1/2B
	FCD450	Color: Brown / Nominal diameter: 2B
Gasket	H1215	
Gland Packing	H350+H2200	



Nominal diameter (B)	1/2	3/4	1	1 1/4	1 1/2	2
L	110	120	130	160	180	230
H	135	145	170	180	195	225
D	80	100	120	120	140	180