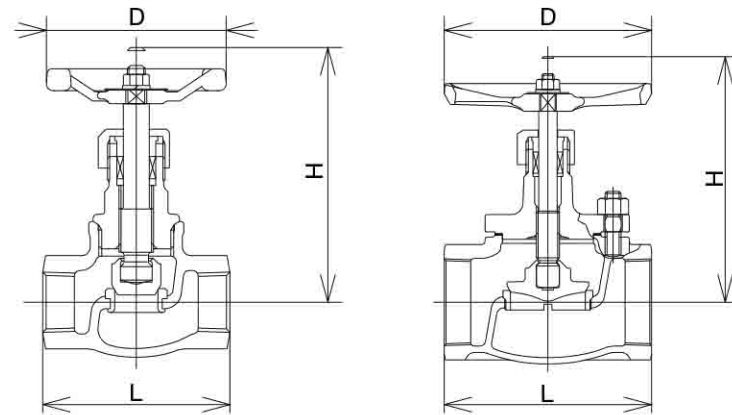


Product Code **HM10KSG**

General-purpose 10K

Globe Screwed

Product Name	Material	Remarks
Body	FCMB-S35	
Cover	FCD-S	
Stem	SUS403	
Disc	SUS403	
Seat ring	SUS403	
Handwheel	FCMB340	Color: Red / Nominal diameter: 1/4-2B
	Gasket	Color: Red/Nominal diameter: 2 1/2, 3B
Gasket	H1215	Nominal diameter: 2 1/2, 3B
Gland Packing	H2200	



Nominal diameter (B)	1/4	3/8	1/2	3/4	1	1 1/4	1 1/2	2	2 1/2	3
L	50	55	65	80	90	105	120	140	180	200
H	90	90	92	106	128	145	156	183	225	260
D	70	70	70	80	90	100	120	140	180	180