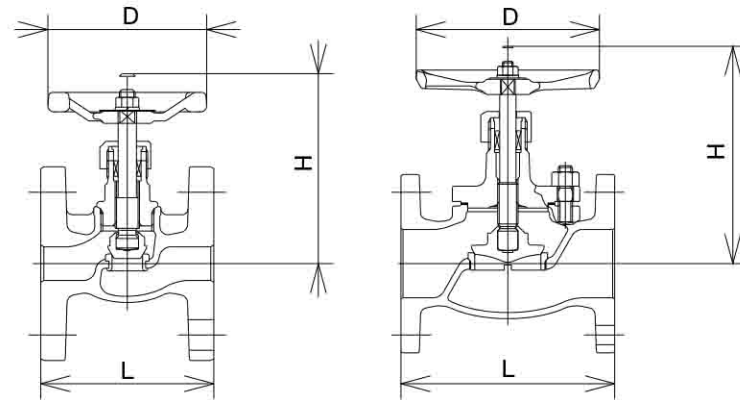


Product Code **HM10KFG**

General-purpose 10K

Globe Flanged

Product Name	Material	Remarks
Body	FCD-S	
Cover	FCD-S	
Stem	SUS403	
Disc	SUS403	
Seat ring	SUS403	
Handwheel	FCMB340	Color: Red / Nominal diameter: 10-50A
	FCD450	Color: Red / Nominal diameter: 65-80A
Gasket	H1215	Nominal diameter: 65-80A
Gland Packing	H2200	



Nominal diameter (A)	10	15	20	25	32	40	50	65	80
L	85	85	95	110	130	150	180	210	240
H	88	88	99	125	142	156	179	225	260
D	70	70	80	90	100	120	140	180	180