



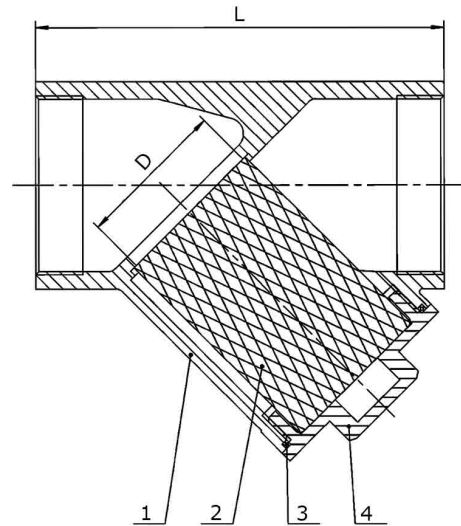
UNIMECH GROUP, MALAYSIA



A MEMBER OF UNIMECH GROUP, MALAYSIA

Y-STRAINER SCREWED END

Model : ARV-205SE



Specification

Nominal Pressure	800 LBS
Medium	Water, Oil, Gas, Steam
Working Temperature	-29 ~ 180 °C
Screen	20 mesh counts

Technical Data

Material

No	PART	MATERIAL
1	BODY	WCB
2	SCREEN	304 MESH
3	GASKET	PTFE
4	BONNET	WCB

Dimension in mm

NPS	DN	L	D
1/2"	15	64	17
3/4"	20	77	20
1"	25	89	24
1.1/4"	32	105	35
1.1/2"	40	117	47
2"	50	138	53

The contents of this literature are for informative purposes only. Arita is not responsible for suitability or compatibility of these products in relation to system requirement. For specific requirements, consult Arita or its distributors. Arita reserves the right to change or modify product design without prior notice.

Our Ref. : ARS/CS1- 09/21