



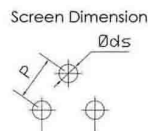
UNIMECH GROUP, MALAYSIA



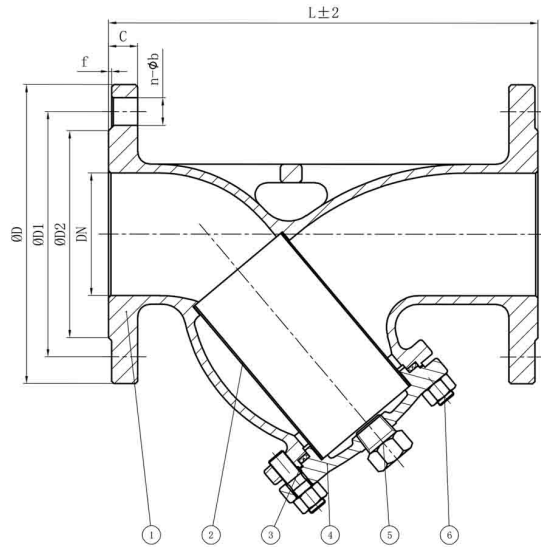
A MEMBER OF UNIMECH GROUP, MALAYSIA

Y-STRAINER FLANGED END PN 40

Model : ARV-205FE(D)



Screen Mesh : 40



Technical Data

Specification

Nominal Pressure	PN 40
Shell Test Pressure	6.0 Mpa
Working Temperature	-29 ~ 425 °C
Suitable Medium	Water, Oil, Gas

Material

No	PART	MATERIAL
1	BODY	WCB
2	BASKET	304 MESH
3	GASKET	SS + GRAPHITE
4	BONNET	WCB
5	PLUG	CF8
6	BOLT	C.S.

Dimension in mm

NPS	DN	L	D	D1	D2	C	f	nxØb	Øds	p	Weight (kg)
1/2"	15	130	95	65	45	16	2	4-Ø14	2	3.5	1.76
3/4"	20	145	105	75	58	18	2	4-Ø14	2	3.5	2.3
1"	25	150	115	85	68	18	2	4-Ø14	2	3.5	2.97
1.1/4"	32	170	140	100	78	18	2	4-Ø18	2	3.5	4.85
1.1/2"	40	200	150	110	88	18	2	4-Ø18	2	3.5	6
2"	50	220	165	125	102	20	2	4-Ø18	2	3.5	8.9
2.1/2"	65	252	185	145	122	22	2	8-Ø18	2	3.5	12
3"	80	280	200	160	138	24	2	8-Ø18	2	3.5	15
4"	100	320	235	190	162	24	2	8-Ø22	2	3.5	18.8
5"	125	350	270	220	188	26	2	8-Ø26	2	3.5	30
6"	150	400	300	250	218	28	2	8-Ø26	3	5	39
8"	200	485	375	320	285	34	2	12-Ø30	3	5	66
10"	250	550	450	385	345	38	2	12-Ø33	3	5	100
12"	300	610	515	450	410	42	2	16-Ø33	3	5	154

The contents of this literature are for informative purposes only. Arita is not responsible for suitability or compatibility of these products in relation to system requirement. For specific requirements, consult Arita or its distributors. Arita reserves the right to change or modify product design without prior notice.

Our Ref. : ARS/CI5- 04/26