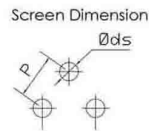
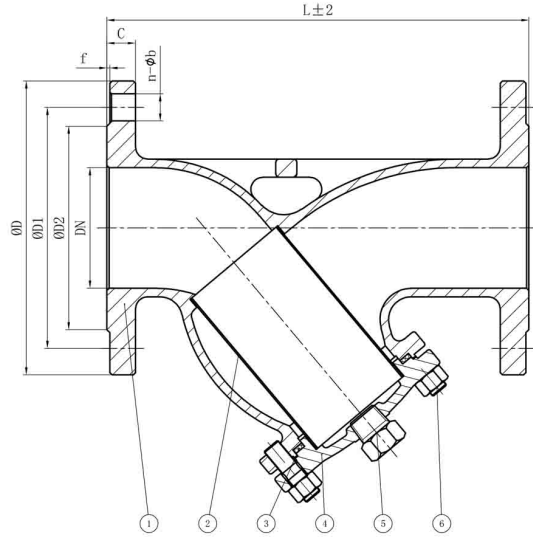


## Y-STRAINER FLANGED END PN 16

Model : ARV-205FE(D)



Screen Mesh : 40



### Technical Data

### Specification

<b>Nominal Pressure</b>	<b>PN 16</b>
<b>Shell Test Pressure</b>	2.4 Mpa
<b>Working Temperature</b>	-29 ~ 425 °C
<b>Suitable Medium</b>	Water, Oil, Steam

### Material

No	PART	MATERIAL
1	BODY	WCB
2	BASKET	304
3	GASKET	SS + GRAPHITE
4	BONNET	WCB
5	PLUG	CF8
6	BOLT	C.S.

### Dimension in mm

NPS	DN	L	D	D1	D2	C	f	n×Øb	Øds	p	Weight (kg)
1/2"	15	130	95	65	45	16	2	4-Ø14	2	3.5	1.6
3/4"	20	140	105	75	58	18	2	4-Ø14	2	3.5	2.1
1"	25	150	115	85	68	18	2	4-Ø14	2	3.5	2.7
1.1/4"	32	170	140	100	78	18	2	4-Ø18	2	3.5	4.4
1.1/2"	40	200	150	110	88	18	2	4-Ø18	2	3.5	5.5
2"	50	220	165	125	102	18	2	4-Ø18	2	3.5	8.1
2.1/2"	65	252	185	145	122	18	2	4-Ø18	2	3.5	11
3"	80	280	200	160	138	20	2	8-Ø18	2	3.5	13.6
4"	100	320	220	180	158	20	2	8-Ø18	2	3.5	17.1
5"	125	350	250	210	188	22	2	8-Ø18	2	3.5	27.3
6"	150	400	285	240	212	22	2	8-Ø22	3	5	35.3
8"	200	485	340	295	268	24	2	12-Ø22	3	5	60.3
10"	250	550	405	355	320	26	2	12-Ø26	3	5	90.7
12"	300	610	460	410	378	28	2	12-Ø26	3	5	128

The contents of this literature are for informative purposes only. Arita is not responsible for suitability or compatibility of these products in relation to system requirement. For specific requirements, consult Arita or its distributors. Arita reserves the right to change or modify product design without prior notice.