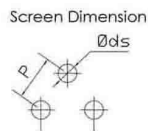
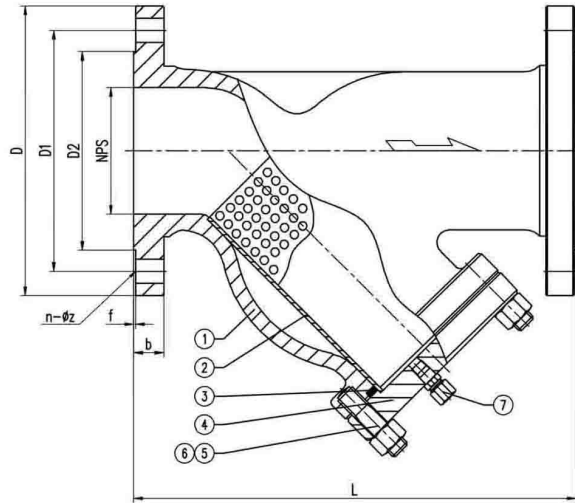


Y-STRAINER FLANGED END 300 LB

Model : ARV-205FE(A)



Screen Mesh : 40



Technical Data

Specification

Nominal Pressure	CL 300
Shell Test Pressure	7.5 Mpa
Working Temperature	-29 ~ 425 °C
Suitable Medium	Water, Oil, Gas

Material

No	PART	MATERIAL
1	BODY	ASTM A216 WCB
2	SCREEN	SS304
3	GASKET	GRAPHITE + 304
4	BONNET	ASTM A216 WCB
5	BOLT	ASTM A193 B7
6	NUT	ASTM A194 2H
7	PLUG	SS

Dimension in mm

NPS	DN	L	D	D1	D2	f	b	n-Øz	Øds	p	Weight (kg)
1/2"	15	155	95	66.7	34.9	2	14.7	4-Ø16	2	3.5	1.2
3/4"	20	200	115	82.6	42.9	2	16.3	4-Ø19	2	3.5	1.6
1"	25	200	125	88.9	50.8	2	17.9	4-Ø19	2	3.5	5.8
1.1/4"	32	211	135	98.4	63.5	2	19.5	4-Ø19	2	3.5	8
1.1/2"	40	242	155	114.3	73	2	21.1	4-Ø22	2	3.5	9
2"	50	268	165	127	92.1	2	22.7	8-Ø19	2	3.5	12
2.1/2"	65	303	190	149	104.8	2	25.9	8-Ø22	2	3.5	24
3"	80	323	210	168.3	127	2	29	8-Ø22	2	3.5	30
4"	100	352	255	200	157.2	2	32.2	8-Ø22	2	3.5	45
5"	125	400	280	235	185.7	2	35.4	8-Ø22	2	3.5	60
6"	150	425	320	269.9	215.9	2	37	12-Ø22	3	5	67
8"	200	480	380	330.2	269.9	2	41.7	12-Ø25	3	5	126
10"	250	620	445	387.4	323.8	2	48.1	16-Ø29	3	5	191
12"	300	600	520	450.8	381.0	2	51.3	16-Ø32	3	5	280