



UNIMECH GROUP, MALAYSIA



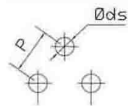
A MEMBER OF UNIMECH GROUP, MALAYSIA

Y-STRAINER FLANGED END 300 LB

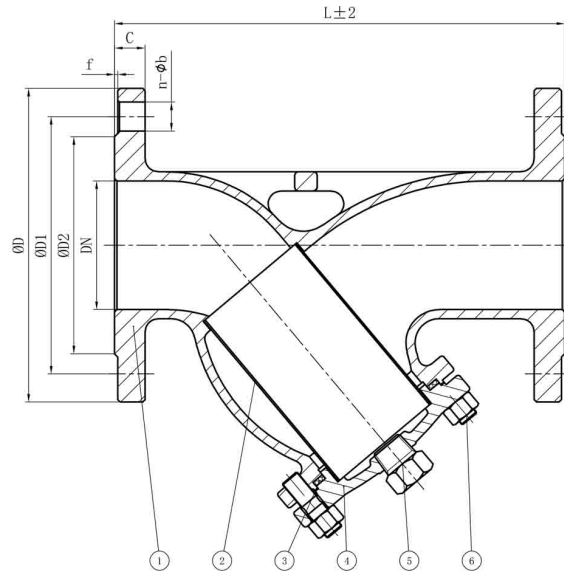
Model : ARV-205FE(A)



Screen Dimension



Screen Mesh : 40



Technical Data

Specification

Nominal Pressure	CL 300
Shell Test Pressure	7.5 Mpa
Working Temperature	-29 ~ 425 °C
Suitable Medium	Water, Oil, Gas

Material

No	PART	MATERIAL
1	BODY	WCB
2	BASKET	304
3	GASKET	SS + GRAPHITE
4	BONNET	WCB
5	PLUG	CF8
6	BOLT	C.S.

Dimension in mm

NPS	DN	L	D	D1	D2	C	f	n-Øb	Øds	p	Weight (kg)
1/2"	15	125	95	66.7	34.9	15	2	4-Ø16	2	3.5	3.5
3/4"	20	145	115	82.6	42.9	16	2	4-Ø19	2	3.5	4.8
1"	25	160	125	88.9	50.8	18	2	4-Ø19	2	3.5	7
1.1/4"	32	180	135	98.4	63.5	19	2	4-Ø19	2	3.5	9.5
1.1/2"	40	200	155	114.3	73	21	2	4-Ø22	2	3.5	14
2"	50	270	165	127	92.1	23	2	8-Ø19	2	3.5	15
2.1/2"	65	300	190	149	104.8	26	2	8-Ø22	2	3.5	20
3"	80	320	210	168.3	127	29	2	8-Ø22	2	3.5	24
4"	100	360	255	200	157.2	32	2	8-Ø22	2	3.5	40
5"	125	405	280	235	185.7	35.5	2	8-Ø22	2	3.5	70
6"	150	445	320	269.9	215.9	37	2	12-Ø22	3	5	80
8"	200	590	380	330.2	269.9	42	2	12-Ø25	3	5	120
10"	250	615	445	387.4	323.8	48	2	16-Ø29	3	5	250
12"	300	820	520	450.8	381.0	51.5	2	16-Ø32	3	5	350

The contents of this literature are for informative purposes only. Arita is not responsible for suitability or compatibility of these products in relation to system requirement. For specific requirements, consult Arita or its distributors. Arita reserves the right to change or modify product design without prior notice.

Our Ref. : ARS/CI8- 04/26