



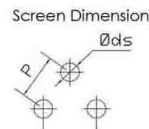
UNIMECH GROUP, MALAYSIA



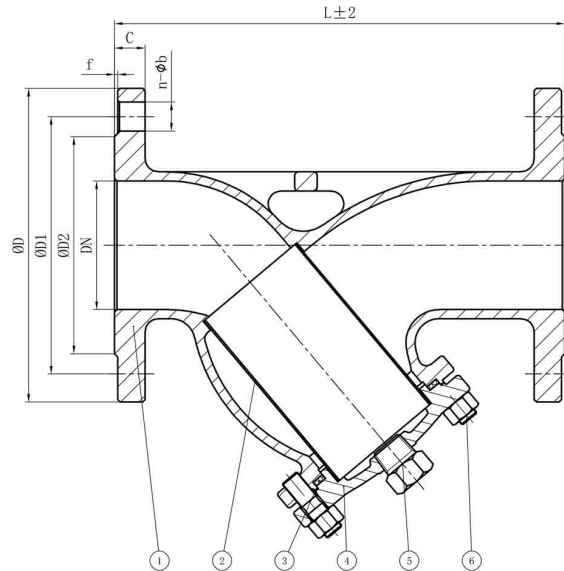
A MEMBER OF UNIMECH GROUP, MALAYSIA

## Y-STRAINER FLANGED END 150 LB

Model : ARV-205FE(A)



Screen Mesh : 40



### Technical Data

### Specification

<b>Nominal Pressure</b>	<b>CL 150</b>
<b>Shell Test Pressure</b>	3.0 Mpa
<b>Working Temperature</b>	-29 ~ 425 °C
<b>Suitable Medium</b>	Water, Oil, Steam

### Material

No	PART	MATERIAL
1	BODY	WCB
2	BASKET	304
3	GASKET	SS + GRAPHITE
4	BONNET	WCB
5	PLUG	CF8
6	BOLT	C.S.

### Dimension in mm

NPS	DN	L	D	D1	D2	C	f	n×Øb	Øds	p	Weight (kg)
1/2"	15	130	90	60.3	35	10	2	4-Ø16	2	3.5	1.3
3/4"	20	140	100	69.9	43	11	2	4-Ø16	2	3.5	1.72
1"	25	150	110	79.4	51	12	2	4-Ø16	2	3.5	2.38
1.1/4"	32	170	115	88.9	64	13	2	4-Ø16	2	3.5	3
1.1/2"	40	200	125	98.4	73	15	2	4-Ø16	2	3.5	4.1
2"	50	220	150	120.7	92	16	2	4-Ø19	2	3.5	7.15
2.1/2"	65	252	180	139.7	105	18	2	4-Ø19	2	3.5	10.1
3"	80	280	190	152.4	127	19	2	4-Ø19	2	3.5	12.9
4"	100	320	230	190.5	157	24	2	8-Ø19	2	3.5	21.4
5"	125	350	255	215.9	186	24	2	8-Ø22	2	3.5	29.1
6"	150	400	280	241.3	216	26	2	8-Ø22	3	5	38.4
8"	200	485	345	298.5	270	29	2	8-Ø22	3	5	67.5
10"	250	550	405	362	324	31	2	12-Ø25	3	5	100
12"	300	610	485	431.8	381	32	2	12-Ø25	3	5	140

The contents of this literature are for informative purposes only. Arita is not responsible for suitability or compatibility of these products in relation to system requirement. For specific requirements, consult Arita or its distributors. Arita reserves the right to change or modify product design without prior notice.