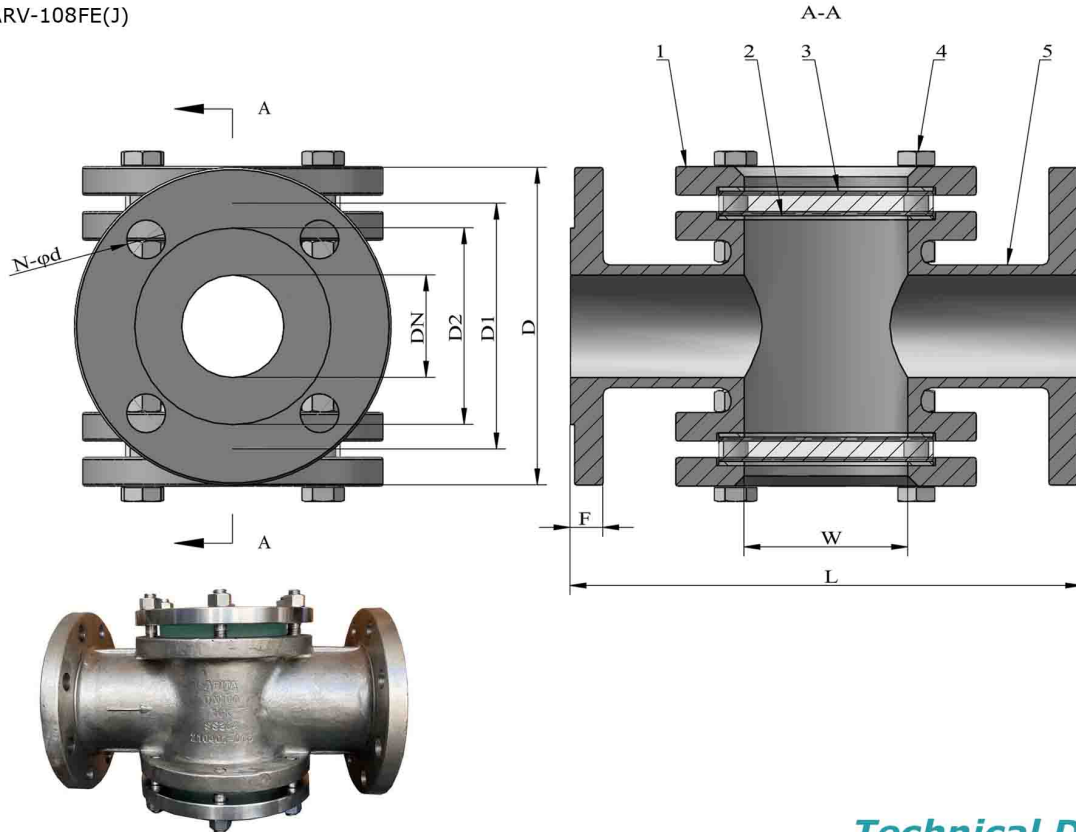


SIGHT GLASS FLANGED END JIS 10K

Model : ARV-108FE(J)



Technical Data

Technical Information:

Nominal Pressure : 6 bar

Working Temperature : <120 °C

Material

No	PART	MATERIAL
1	COVER	SS 304
2	SEALING GASKET	PTFE
3	GLASS	BOROSILICATE
4	BOLT AND NUT	SS 304
5	BODY	SS 304

Dimension in mm

DN	L	W	D	D1	D2	N-Ød	F	Weight (kg)
40	250	80	140	105	81	4-19	16	7
50	250	80	155	120	96	4-19	16	8
65	250	80	175	140	116	4-19	18	9
80	250	80	185	150	126	8-19	18	12
100	250	80	210	175	151	8-19	18	15
125	250	80	250	210	182	8-23	20	20
150	250	80	280	240	212	8-23	22	28

The contents of this literature are for informative purposes only. Arita is not responsible for suitability or compatibility of these products in relation to system requirement. For specific requirements, consult Arita or its distributors. Arita reserves the right to change or modify product design without prior notice.