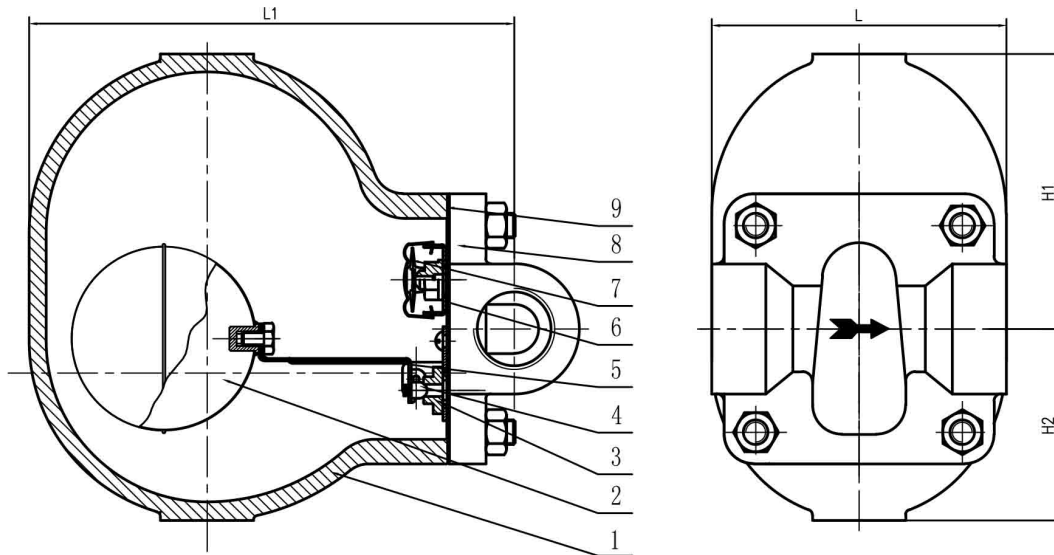


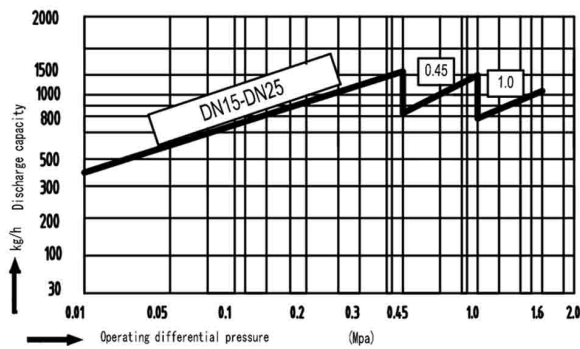
BALL FLOAT STEAM TRAP SCREWED END

Model : FT16-10



Features :

PMO Max. Operating Pressure : 10 bar
TMO Max. Operating Temperature : 250 °C



Technical Data

Material

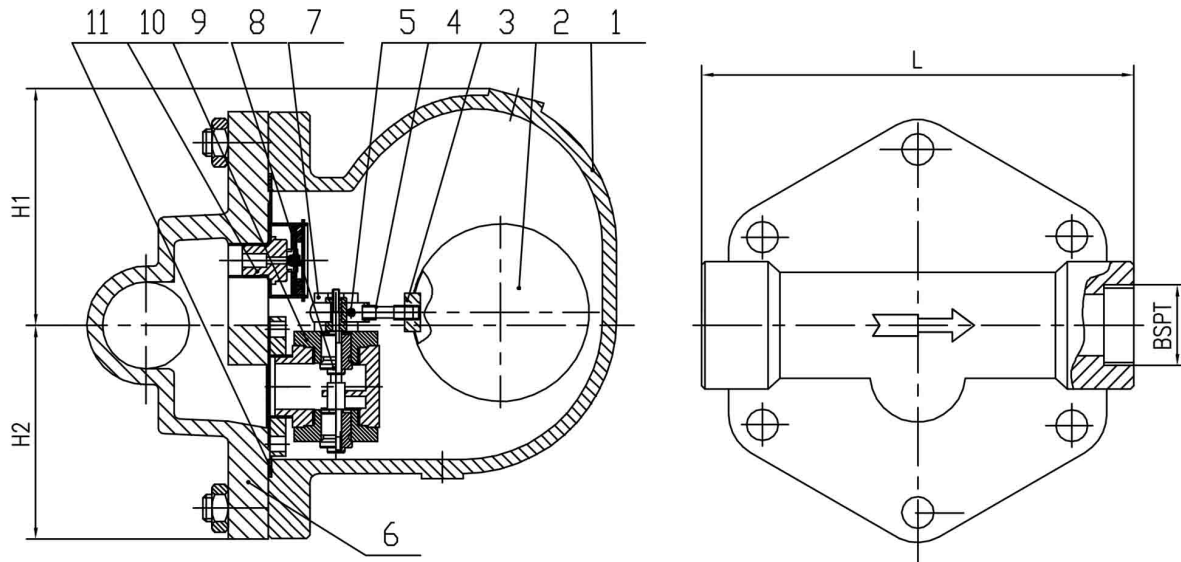
No	PART	MATERIAL
1	BODY	CAST STEEL WCB
2	FLOAT BALL	SS 304
3	SEAT	2Cr13
4	DISC	2Cr13
5	YOKE	SS 304
6	SEAT	2Cr13
7	VENDING GROUPWARE	SS 304
8	BONNET	WCB
9	GASKET	304+GRAPHITE

Dimension in mm

DN	L	L1	H1	H1
15	120	205	115	80
20	120	205	115	80
25	120	205	115	80

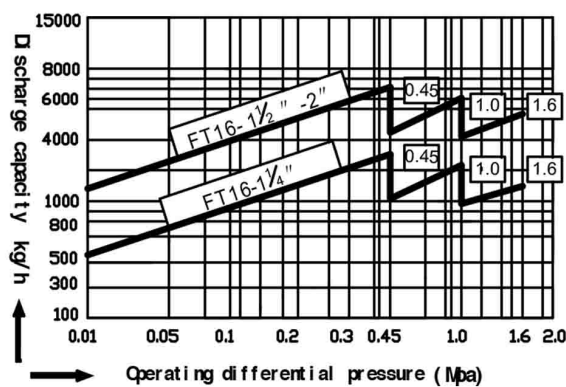
BALL FLOAT STEAM TRAP SCREWED END

Model : FT14-10, FT16-10



Features :

PMO Max. Operating Pressure : 10 bar
 TMO Max. Operating Temperature : 250 °C
 Connection : BSPT



Technical Data

Material

No	PART	MATERIAL
1	BODY	CAST STEEL WCB
2	BALL FLOAT	SS 304
3	BOLT	2Cr13
4	BRACKET	2Cr13
5	PIN	1Cr18Ni9Ti
6	BONNET	WCB
7	STEEL GASKET	1Cr18Ni9Ti
8	SEAT	2Cr13
9	SEAT	2Cr13
10	VENTING GROUPWARE	SS 304
11	GASKET	GRAPHITE

Dimension in mm

DN	L	H1	H2
32	250	150	100
40	250	150	100
50	250	150	100