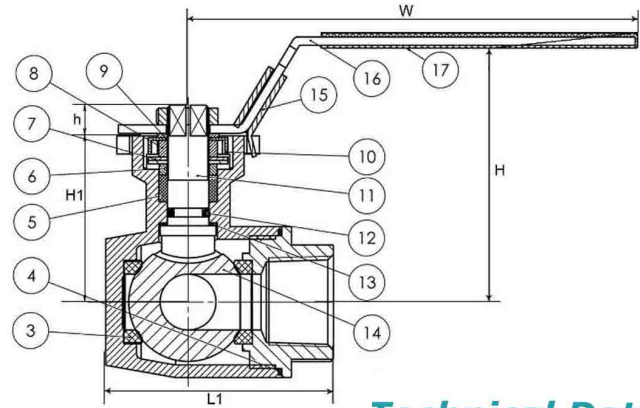
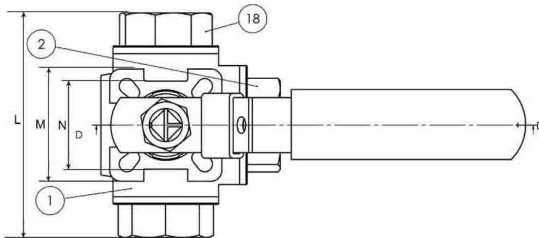


3-WAY BALL VALVE SCREWED END WITH ISO MOUNTING PAD

Model : ARV-100SE-3WAY



Technical Data

Material

No	PART	MATERIAL
1	BODY	CF8M
2	CAP (A)	CF8M
3	BALL SEAT	RPTFE
4	BODY PACKING	PTFE
5	STEM PACKING	PTFE
6	GLAND NUT	SUS 304
7	SPRING WASHER	SUS 304
8	NUT	SUS 304
9	WASHER	SUS 304
10	THRUST WASHER	SUS 304
11	STEM	SUS 304
12	O-RING	NBR
13	STEM SEAL	PTFE
14	BALL	CF8/CF8M
15	LOCKING	SUS 304
16	HANDLE	SUS 304
17	PLASTIC COVER	PLASTIC
18	CAP (B)	CF8M

Features :

- 1000 PSI / PN63 CAST
- REDUCE PORT
- INVESTMENT CASTING
- BLOW-OUT PROOF STEM
- PED 98/23/EC (CE0035) APPROVED
- CASTING APPROVED AD2000-WO
- L OR T PORT OPTION
- 4 SEATS FOR RIGID BALL SUPPORTING
- THREAD : ASME B1.20.1 BS21 DIN2999/259 ISO228-1, JIS B 0203, ISO07/1
- INSPECTION TESTING : API598, EN12266

Dimension in mm

Size	D	W	H	H1	h	M	N	J	L	L1
8	9	139	73	42	9	36	42	9	79	64
10	11	139	73	42	9	36	42	9	79	64
15	12.5	139	73	42	9	36	42	9	79	64
20	16	139	80	49	9	36	42	9	83	68
25	20	160	95	59.5	11	42	50	11	104	82
32	25	160	98	63	11	42	50	11	111	90
40	32	185	110	73.5	14	50	70	14	126	106
50	38	185	119	82.8	14	50	70	14	147	123

The contents of this literature are for informative purposes only. Arita is not responsible for suitability or compatibility of these products in relation to system requirement. For specific requirements, consult Arita or its distributors. Arita reserves the right to change or modify product design without prior notice.