



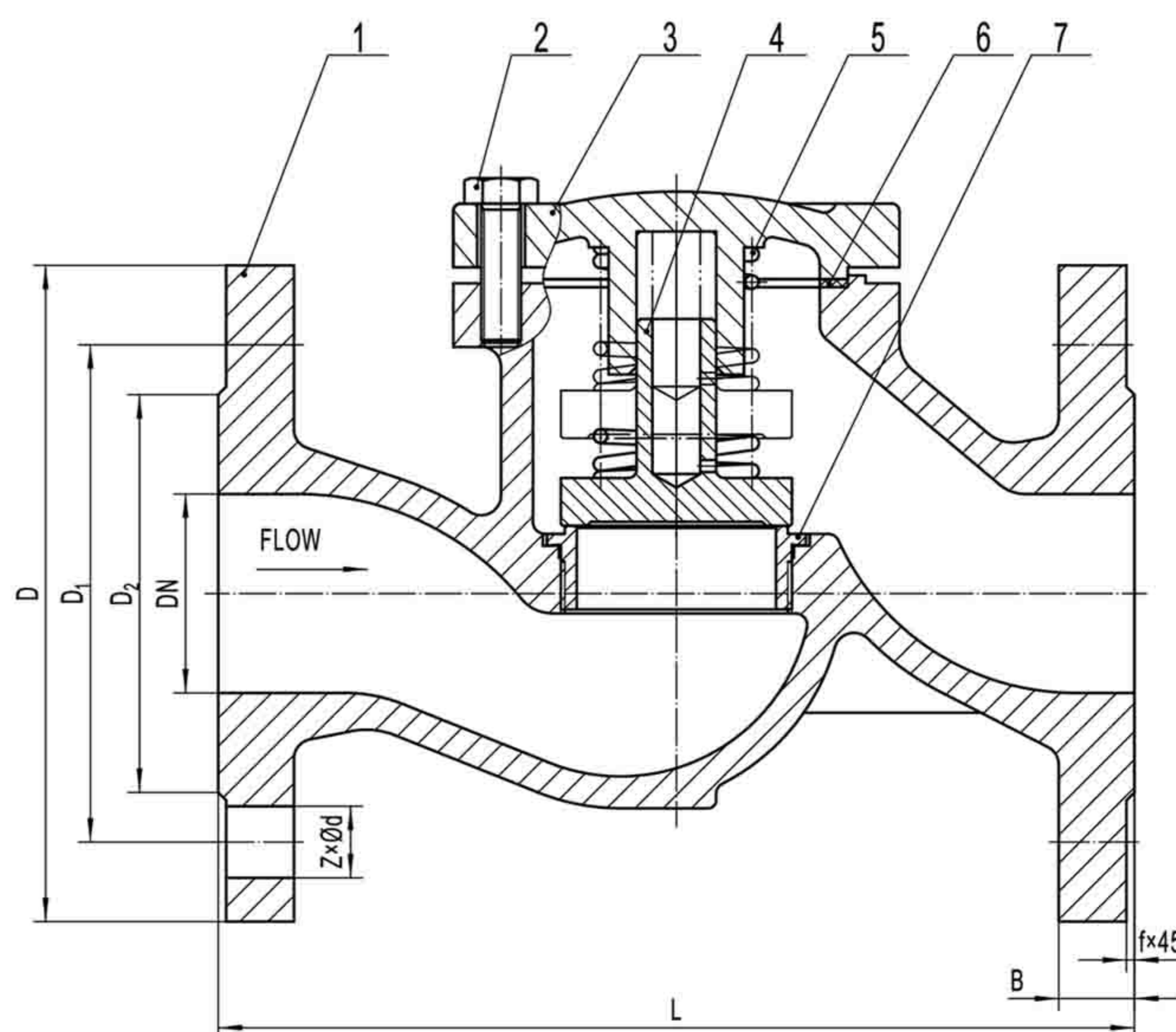
UNIMECH GROUP, MALAYSIA



A MEMBER OF UNIMECH GROUP, MALAYSIA

S-PATTERN LIFT CHECK VALVE FLANGED END PN16

Model : ARV-804FE(D)-SP



Features :

Design according to BS EN 13789

Face to Face : BS EN558-1

Flange according to BS EN1092-2:1997

Technical Data

Dimension in mm

SIZES	L	D	D1	D2	B-f	Z-Ød
15	130	95	65	46	14-2	4-Ø14
20	150	105	75	56	16-2	4-Ø14
25	160	115	85	65	16-2	4-Ø14
32	180	140	100	76	18-2	4-Ø19
40	200	150	110	84	18-2	4-Ø19
50	230	165	125	99	20-2	4-Ø19
65	290	185	145	118	20-2	4-Ø19
80	310	200	160	132	22-2	8-Ø19
100	350	220	180	156	24-2	8-Ø19
125	400	250	210	184	26-2	8-Ø19
150	480	285	240	211	26-2	8-Ø23
200	600	340	295	266	30-2	12-Ø23
250	725	405	355	319	32-3	12-Ø28
300	845	460	410	375	32-3	12-Ø28

Specification

Nominal Pressure	1.6 Mpa
Suitable Temperature	≤200°C
Seal Pressure Test (Water)	1.8 Mpa
Shell Pressure Test (Water)	2.4 Mpa
Medium	Water, Steam, Oil

Material

No	PART	MATERIAL
1	BODY	CAST IRON
2	BOLT	35#STEEL
3	BONNET	CAST IRON
4	DISC	2Cr13 (DN15-65) GG25+2Cr13 (DN80-300)
5	SPRING	304
6	GASKET	08#STEEL+EXPANDED GRAPHITE
7	BODY SEAL RING	Z2Cr13

The contents of this literature are for informative purposes only. Arita is not responsible for suitability or compatibility of these products in relation to system requirement. For specific requirements, consult Arita or its distributors. Arita reserves the right to change or modify product design without prior notice.