

# UNIJIN® FREE ANGLE BI-METAL THERMOMETER

## Model : T190

T190 models are designed for use for direct indicating and measuring temperature in various industrial plants such as oil refinery, sugar refinery, chemical and rubber plant, food industries, refrigeration, process, engineering, general industry and etc. Pocket Thermowell must be used on all applications where thermometer bulb sensor is subjected to pressure, corrosive fluid or flow rate. Thermowell will make thermometer disassemble for calibration or replacement easier as the process will not be disturbed. Systems or equipment with strong vibration are apparent, the Capillary Thermometer model is recommended.



### Standard Specification

**Dial Size**

100mm / 4"

**Connection**

1/2" NPT / BSPT

**Scale Range (°C & °F)**

-30~ 50°C;            0 ~ 60°C ;  
 0~ 100°C;            0~ 120°C;  
 0~ 150°C;            0~ 200°C;  
 0~ 300°C;            0~ 400°C;  
 0~ 500°C

**Working Range**

Max 100% of Full Scale

**Stem OD**

ø6.00mm, ø8.00mm

**IP Protection**

IP65

**Accuracy**

± class 1.5 ≤ 300 °C,  
 ± class 2.5 > 300 °C,  
 Option : Class 1

**Zero Adjustment**

At back case

**Material**

Case & Cover : 304SS / 316SS (option)  
 Window : Mineral; Tempered Glass  
 Sensing Element : Coiled bimetallic  
 Connection : 304SS / 316SS (Option)  
 Stem : 304SS / 316SS (Option)

**Option**

Thermowell available on request  
 Liquid Filled

**Example of Order**

### Thermometer Ordering Information

**Model**

T190

**Dial Size**

100mm

**Scale Range**

refer Table above

**Stem Length (mm)**

80, 100, 150, 230  
 (Others available on request)

**Connection Type**

1/2" NPT / BSPT

**Options**

Thermowell

**Model**  
T190

**Dial Size**  
4"

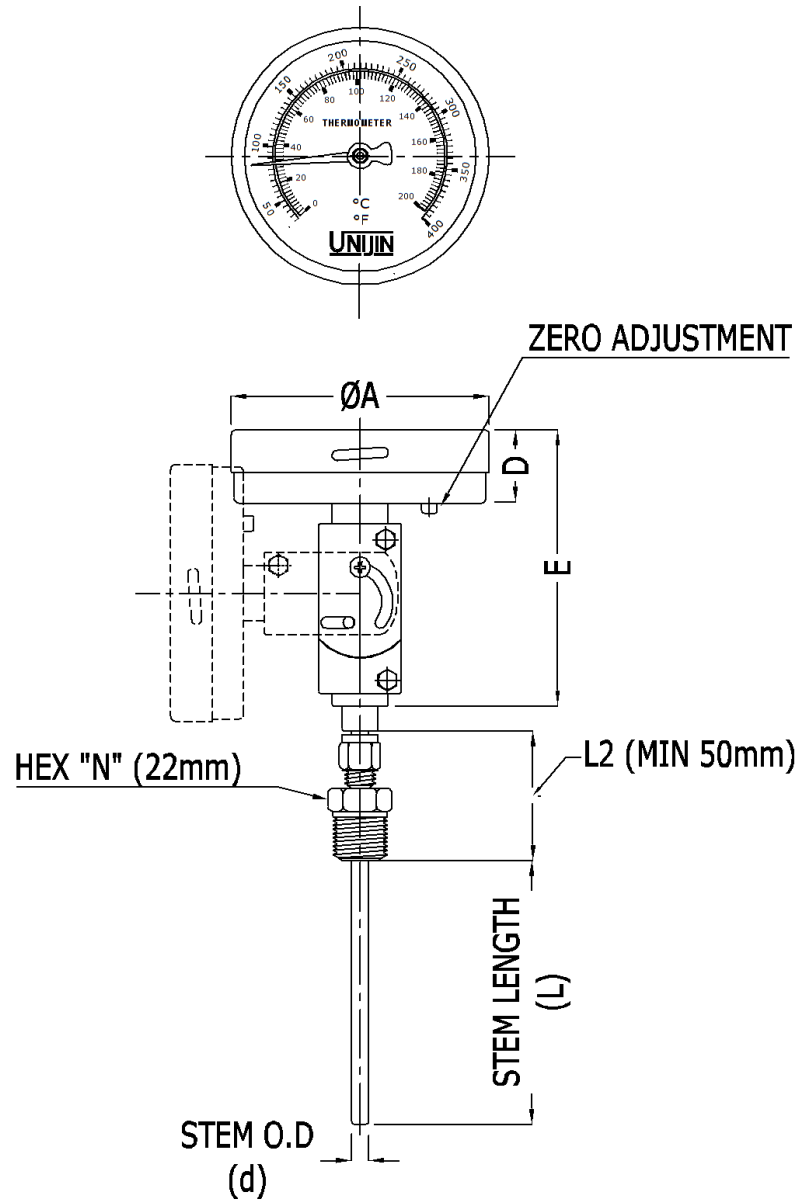
**Range**  
0 ~ 200°C

**Stem Length**  
150mm

**Connection**  
1/2" NPT

**Options**  
316SS  
Thermowell

Basic Dimensions



Unit : mm

	Ø 100
<b>A</b>	100.0
<b>D</b>	28.5
<b>E</b>	107.5
STEM LENGTH (L)	60 ~ 500
STEM O.D (d)	6.0