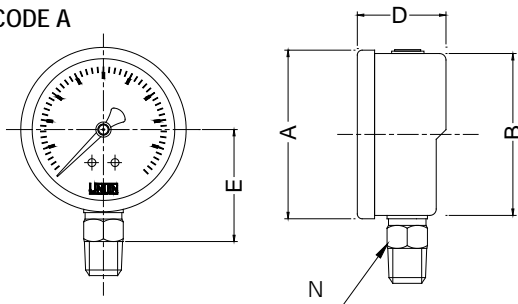


Basic Dimensions

CODE A

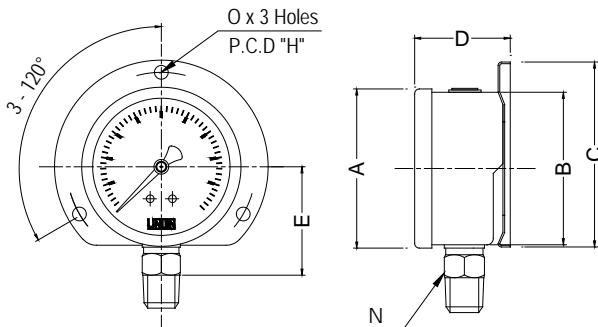


A: Direct bottom connection

Unit : mm

	ø 50	ø 63	ø 100
A	57.6	71.0	112.0
B	52.0	62.7	103.4
D	28.6	36.3	37.3
E	37.0	43.0	68.7
N	14.0	14.0	17.0

CODE B

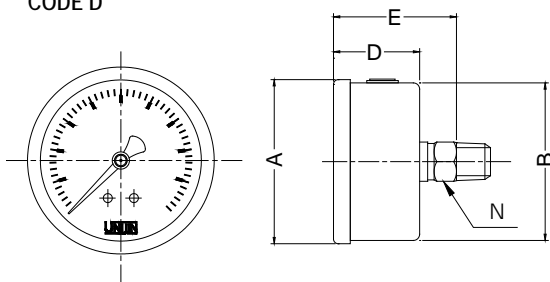


B: Bottom connection with surface mounting plate

Unit : mm

	ø 63	ø 100
A	71.0	112.0
B	62.7	103.4
C	79.0	nil
D	39.2	41.3
E	43.0	68.7
H	78.4	118.2
N	14.0	17.0
O	4.3	7.0

CODE D

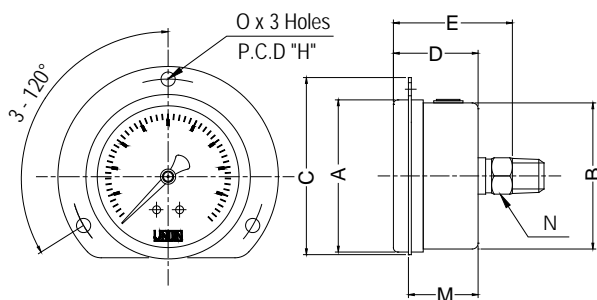


D: Direct center back connection

Unit : mm

	ø 50	ø 63
A	57.6	71.0
B	52.0	62.7
D	29.0	35.8
E	40.0	52.0
N	14.0	14.0

CODE BD

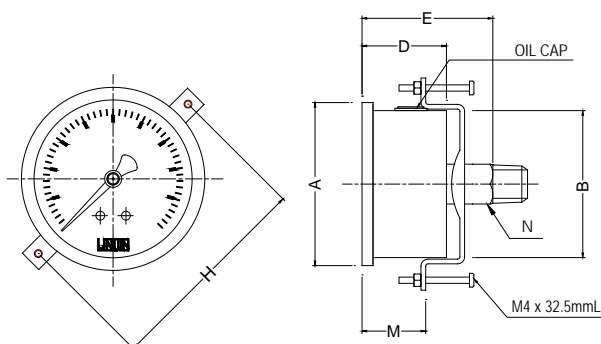


BD: Center back connection with panel mounting plate

Unit : mm

	ø 63
A	71.0
B	62.7
C	87.6
D	35.8
E	52.0
H	78.4
M	25.8
N	14.0
O	4.3

CODE BDC



BDC: Center back connection with clamp

Unit : mm

	ø 63
A	71.0
B	62.7
D	35.8
E	52.0
H	82.0
M	27.0
N	14.0
O	3.0