



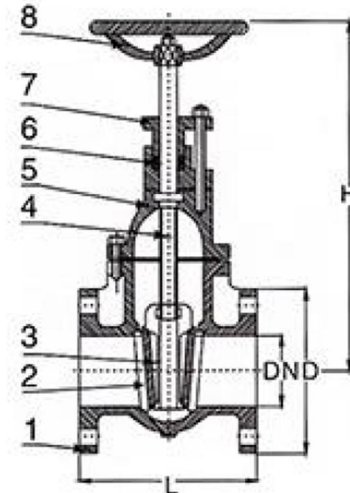
UNIMECH GROUP, MALAYSIA



A MEMBER OF UNIMECH GROUP, MALAYSIA

GATE VALVE FLANGED END JIS 10K (NON RISING STEM)

ARV-801FE(J)-NR



Features :

- Face to face is according to JIS B2002
- Flange drilled is according to JIS B2212
- Working Pressure : 10K
- Test Pressure Shell : 21.1 kgf/cm²
- Seat : 15.0 kgf/cm²
- Working Temperature : -10 to 120°C

Technical Data

Material

No	PART	MATERIAL
1	BODY	CAST IRON
2	BONNET	CAST IRON
3	STEM	STAINLESS STEEL
4	DISC	CAST IRON
5	SEAT RING	CAST BRONZE / STAINLESS STEEL
6	GLAND	DUCTILE IRON
7	PACKING	NON ASBESTOS
8	HANDWHEEL	CAST IRON

Dimension in mm

SIZES	1.1/2"	2"	2.1/2"	3"	4"	5"	6"	8"	10"	12"
DN	40	50	65	80	100	125	150	200	250	300
L	165	180	190	200	230	250	270	290	330	350
H	245	252	270	290	365	420	455	575	686	782
D	140	155	175	185	210	250	280	330	400	445

The contents of this literature are for informative purposes only. Arita is not responsible for suitability or compatibility of these products in relation to system requirement. For specific requirements, consult Arita or its distributors. Arita reserves the right to change or modify product design without prior notice.