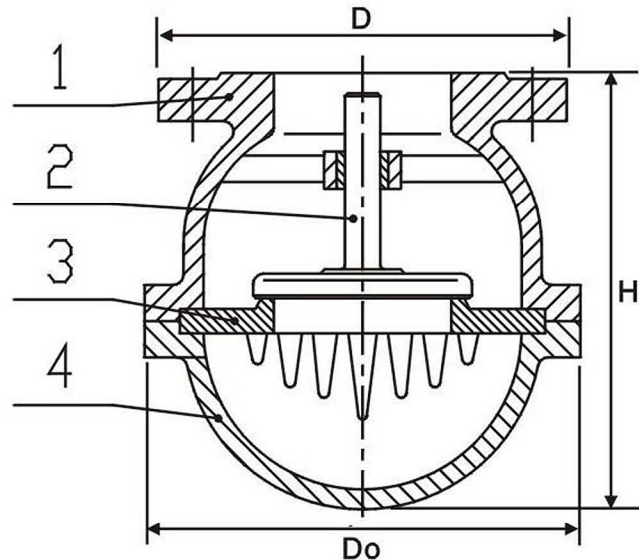


STAINLESS STEEL FOOT VALVE FLANGED END JIS 10K



Features :

The stainless steel foot valve is fitted at the end of the pipe of water pump, which can avoid adverse current and prevent foreign substance from being drawn into pump. It is suitable for use on water, oil and gas.

Dimension in mm

SIZES		D	Do	H
DN	in.			
50	2	140	145	105
65	2.1/2	160	170	150
80	3	185	195	190
100	4	205	215	210
150	6	260	280	270
200	8	320	370	360
250	10	375	390	410

Technical Data

Material

No.	PART	MATERIAL
1	BODY	STAINLESS STEEL
2	SEAT	STAINLESS STEEL
3	DISC	STAINLESS STEEL
4	COVER	STAINLESS STEEL

Suitable Temperature : < 80°C

