



UNIMECH GROUP, MALAYSIA



A MEMBER OF UNIMECH GROUP, MALAYSIA

Y-TYPE STRAINER SCREWED END



ARF-805SE

Arita Cast Iron Y-Strainer is a device which provides a mean to remove debris from a flowing fluid in a pipeline. A perforated screen or mesh is used to trap the debris in the strainer chamber. The strainer chamber is designed with a plug or cover that can be easily removed for maintenance purposes. The Y-Strainer can be installed either in horizontal or vertical down position and must be always before the valve or equipment.

Technical Data

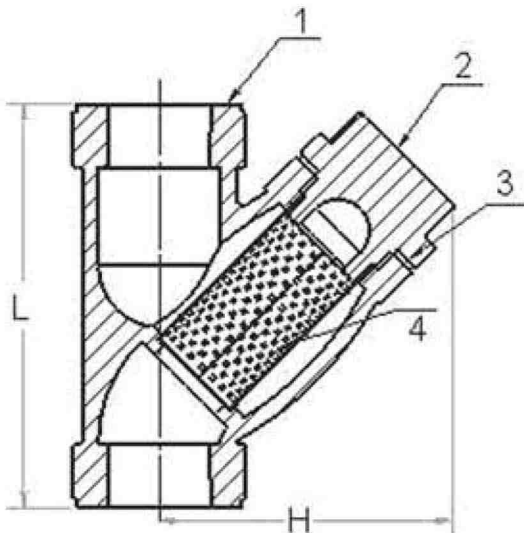
Dimension in mm

SIZES		ΦD	L	H	Cv	WT. (KG)
DN	in.					
15	1/2	15	90	62	20	0.54
20	3/4	20	105	75	40	0.88
25	1	25	125	86	66	1.37
32	1.1/4	32	148	98	120	2.22
40	1.1/2	40	163	107	195	2.70
50	2	50	180	122	310	4.14

Note : Cv = US Gallon per minutes

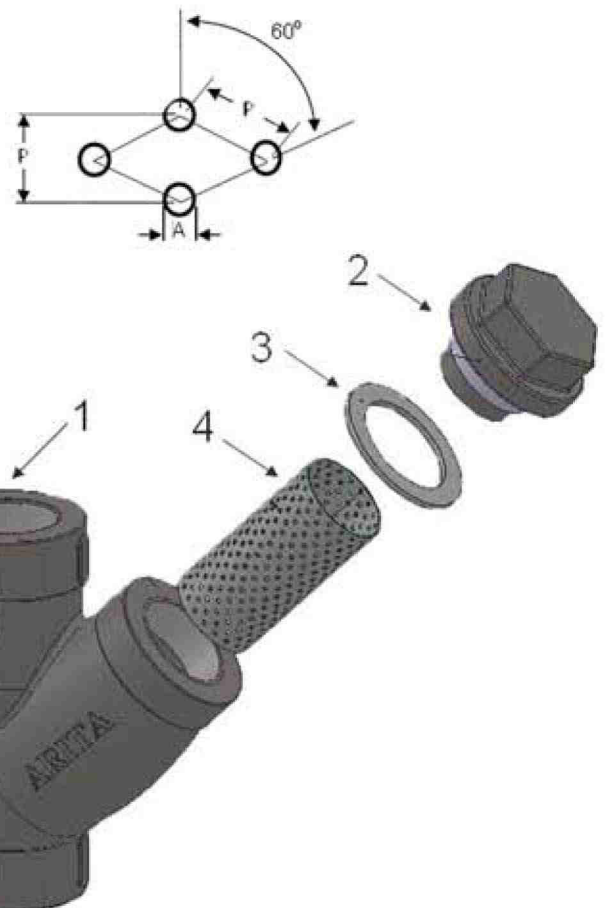
Screen Dimensions

Size	A	P	Thickness
1/2" ~ 2"	1.5	3.5	0.5



Material

No.	PART	QTY.	MATERIAL
1	BODY	1	FC 200
2	CAP	1	FC 200
3	GASKET	1	ASBESTOS
4	SCREEN	1	SUS 304



Pressure Test

Working Pressure	Hydrostatic Test	
16 kgf/cm ²	Body	24 kgf/cm ²

Pressure - Temperature

Temperature °C	-10 ~ 120	150	180	200
Pressure Mpa (Kgf/cm ²)	1.56 (16.0)	1.40 (14.4)	1.32 (13.6)	1.24 (12.8)

* Note: For non-shock water, at 120°C, the allowable pressure is 1.56Mpa (16kgf/cm²)

Design Standard:

BS 21 (BSPT)	Screwed Ends
ARITA Std.	Face to Face Distance
JIS B2003	Test Standard



A MEMBER OF UNIMECH GROUP, MALAYSIA

The contents of this literature are for informative purposes only. Arita is not responsible for suitability or compatibility of these products in relation to system requirement. For specific requirements, consult Arita or its distributors. Arita reserves the right to change or modify product design without prior notice.

© 2011 Arita Valve ARF-805SE 08/11

ARITA is a registered trade mark of Unimech Group, Malaysia.