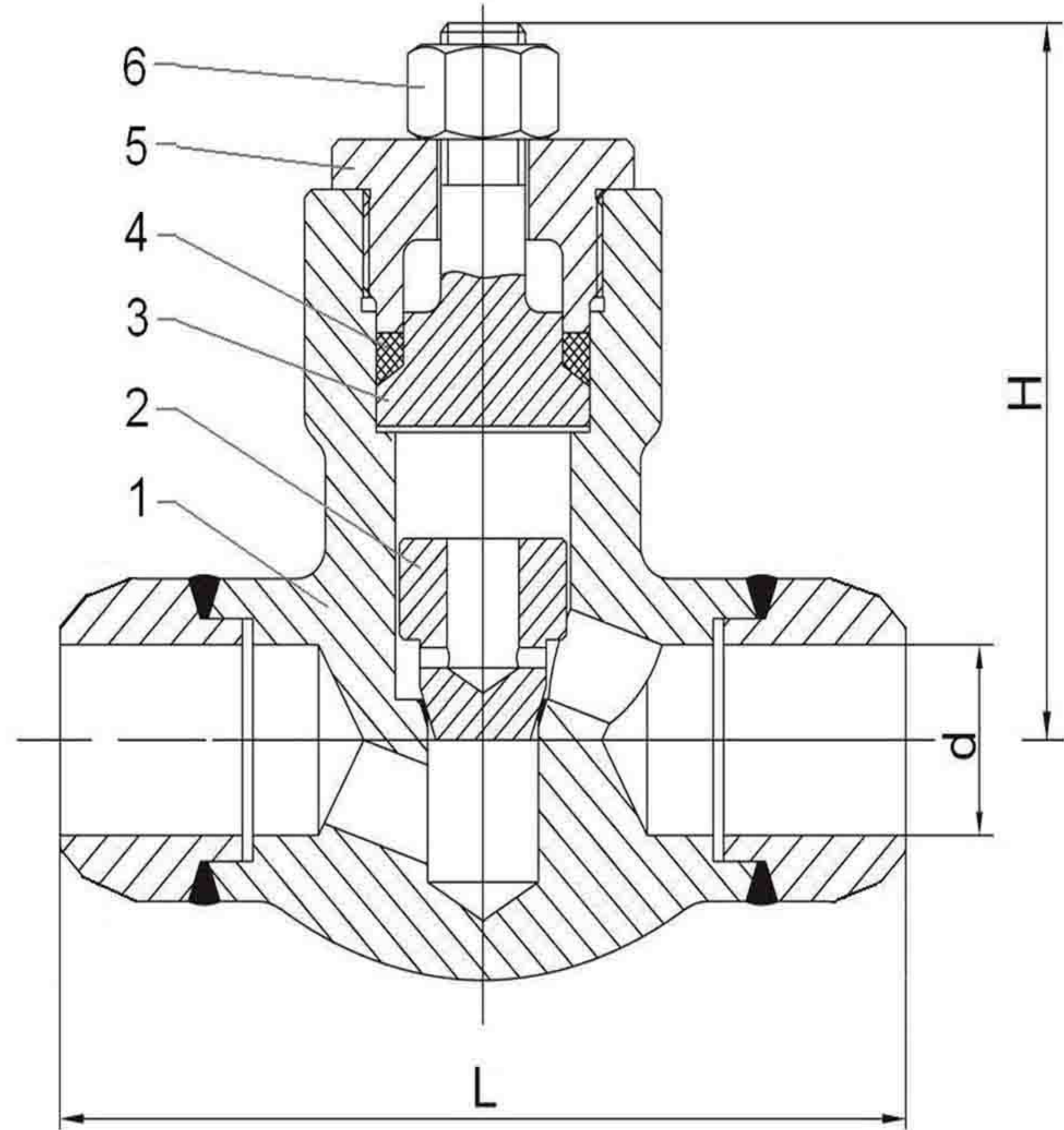


FORGED STEEL PRESSURE SEAL PISTON CHECK VALVE CLASS 1500 / 2500



Dimension in mm

CLASS 1500

SIZES		d	L	H	WT. (KG)
DN	in.				
15	1/2	13	216	117.5	10.5
20	3/4	18	229	117.5	11.9
25	1	24	254	117.5	13.9
32	1.1/4	29	279	149	26.9
40	1.1/2	36.5	305	149	25.1
50	2	46.5	368	195	32.0

CLASS 2500

SIZES		d	L	H	WT. (KG)
DN	in.				
15	1/2	13	264	125	12.6
20	3/4	18	273	125	14.9
25	1	24	308	125	16.5
32	1.1/4	29	349	166	28.0
40	1.1/2	36.5	384	166	27.6
50	2	46.5	451	210	34.5

Technical Data

Material

No.	PART	MATERIAL
1	BODY	A105
2	DISC	A182 F6a
3	BONNET	A105
4	PRESSURE RING	SOFT IRON
5	RETAINING NUT	A105
6	P.S. LOCK NUT	A194 2H

Features

- * Pressure Sealed Bonnet
- * Full Port
- * Class 1500 / 2500
- * Piston Type Disc
- * Design Standard: ASME B16.34 / BS 5352
- * Pressure Temperature Rating: ASME B16.34
- * Inspection & Test: API 598
- * End Connection: Butt Welding Ends
- * Applicable: Water, Oil & Gas