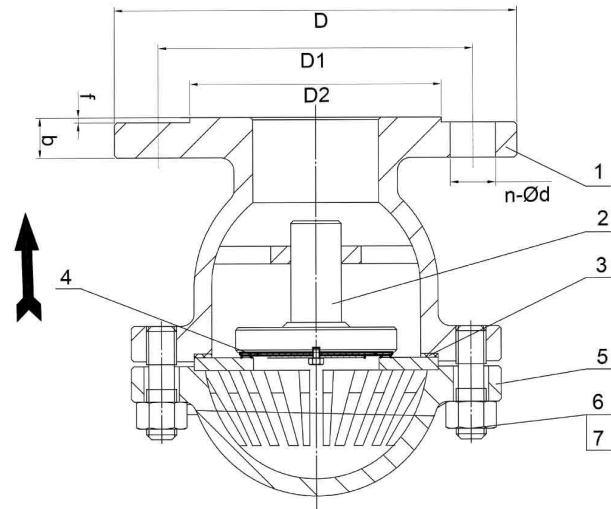


FOOT VALVE FLANGED END JIS 10K

Model : ARV-117FE(J)



Features :

The Stainless steel foot valve is fitted at the end of the pipe of water pump, which can avoid adverse current and prevent foreign substance from being drawn into pump.

Nominal pressure	10K	
Test Pressure	Seal Test	2.2 Mpa
Applicable Medium	Water, Oil, Gas	
Applicable Temperature	-29 ~ 120 °C	

Technical Data

Material

No	PART	MATERIAL
1	BODY	ASTM A351 CF8
2	DISC	ASTM A351 CF8
3	GASKET	SS304 + GRAPHITE
4	SEAT	PTFE
5	COVER	ASTM A351 CF8
6	BOLT	ASTM A193 B8
7	NUT	ASTM A194 8

Dimension in mm

SIZE		D	D1	D2	b	f	n-Ød	Weight (kg)
DN	in							
50	2	155	120	96	16	2	4-Ø19	3.5
65	2.1/2	175	140	116	18	2	4-Ø19	4.8
80	3	185	150	126	18	2	8-Ø19	5.8
100	4	210	175	151	18	2	8-Ø19	6.8
125	5	250	210	182	20	2	8-Ø23	12
150	6	280	240	212	22	2	8-Ø23	15
200	8	330	290	262	22	2	12-Ø23	25
250	10	400	355	324	24	2	12-Ø25	40
300	12	445	400	368	24	3	16-Ø25	51

The contents of this literature are for informative purposes only. Arita is not responsible for suitability or compatibility of these products in relation to system requirement. For specific requirements, consult Arita or its distributors. Arita reserves the right to change or modify product design without prior notice.