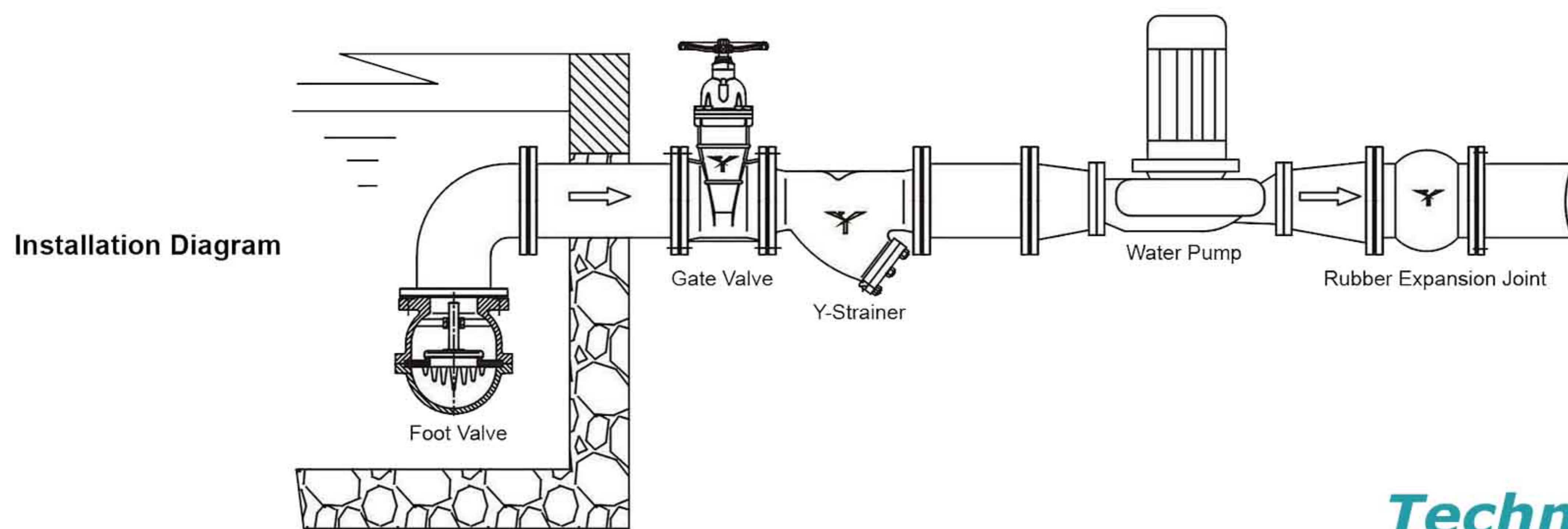
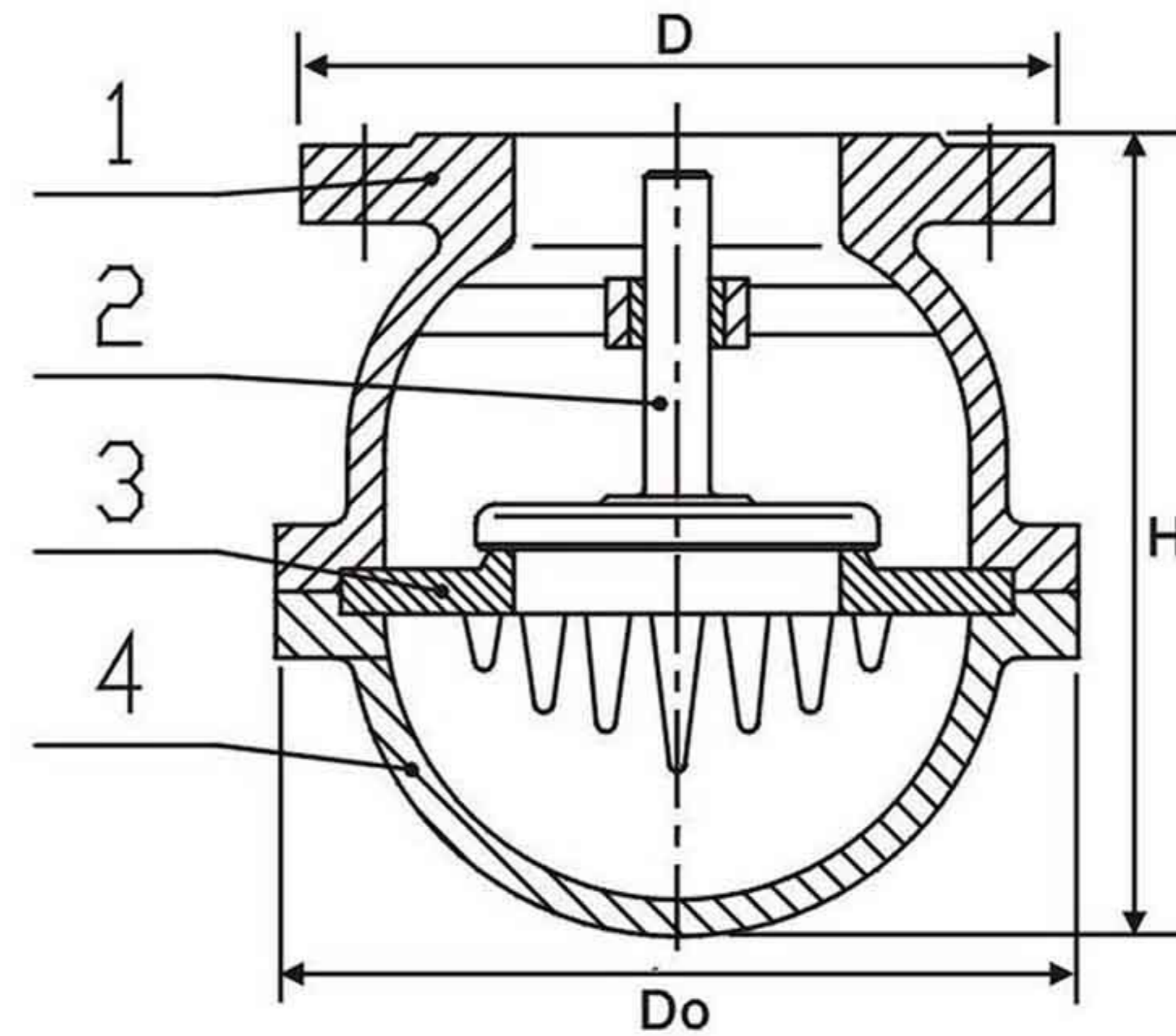


## FOOT VALVE FLANGED END JIS 10K

Model : ARF-117FE(J)



### Features :

The stainless steel foot valve is fitted at the end of the pipe of water pump, which can avoid adverse current and prevent foreign substance from being drawn into pump. It is suitable for use on water, oil and gas.

Applicable Temperature :  $>80^{\circ}\text{C}$

## Technical Data

### Material

No	PART	MATERIAL
1	BODY	STAINLESS STEEL
2	SEAT	STAINLESS STEEL
3	DISC	STAINLESS STEEL
4	COVER	STAINLESS STEEL

### Dimension in mm

SIZE		D	Do	H
DN	in			
50	2	140	145	105
65	2.1/2	160	170	150
80	3	185	195	190
100	4	205	215	210
125	5	235	245	240
150	6	260	280	270
200	8	320	370	360
250	10	375	390	410