



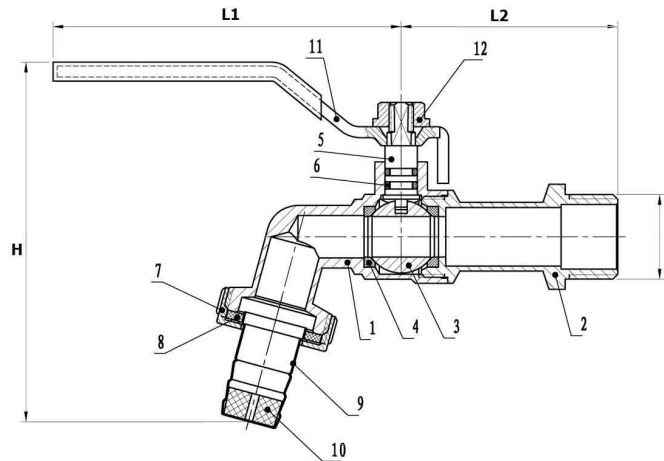
UNIMECH GROUP, MALAYSIA



A MEMBER OF UNIMECH GROUP, MALAYSIA

BALL BIBCOCK VALVE, HOSE END (art. 132)

Model : ARV-1000HE



Dimension in mm

Size	L1	L2	H	Weight (kg)
1/2"	87	53.5	88	0.185
3/4"	87	58.5	95.5	0.253

Material

No	PART	MATERIAL
1	BODY	NICKEL-PLATED BRASS
2	BONNET	NICKEL-PLATED BRASS
3	BALL	CHROME-PLATED BRASS
4	SEAL	PTFE
5	STEM	BRASS
6	O-RING	NBR
7	NOZZLE	NICKEL-PLATED BRASS
8	SEAT	NBR
9	OUTLET	SUS
10	INSERT	PLASTIC
11	HANDLE	STEEL
12	NUT	STEEL

The contents of this literature are for informative purposes only. Arita is not responsible for suitability or compatibility of these products in relation to system requirement. For specific requirements, consult Arita or its distributors. Arita reserves the right to change or modify product design without prior notice.

Our Ref. : ITA1320- 04/26